



BC Beverage

Serving The Hospitality Industry Since 1984

DRAFT BEER EQUIPMENT



TABLE OF CONTENTS

TERMS & CONDITIONS	2
TABLE OF CONTENTS	3
DRAUGHT BEER TOWERS	4
TAP HANDLES	15
FAUCETS	16
MEDALLIONS	21
DRIP TRAYS	23
DRAUGHT BEER SYSTEMS	26
REFRIGERATOR CONVERSION KITS	30
REFRIGERATION EQUIPMENT	31
SHANKS	32
KEG COUPLERS	33
REGULATORS	35
COOLERS AND COMPONENTS	38
PICNIC PUMPS	39
CLEANING PRODUCTS	40
TUBING	42
JOHN GUEST	47
FLOJET	50
FOUNTAIN	52
LIQUOR	57
WINE DISPENSING EQUIPMENT	58
TOOLS	59
MAGLINER 	60
BRANDED 	62
INDEX 	64
OSPREY TOWER 	65

DRAUGHT BEER TOWERS

EUROPEAN TOWER COLLECTION

SEXY

Part No.	Taps	Faucet Style	Finish
BB102081A-CK	1	American	Gold
BB102082A-CK	2	American	Gold
BB102083A-CK	3	American	Gold
BB102084A-CK	4	American	Gold
BB102091A-CK	1	American	Chrome
BB102092A-CK	2	American	Chrome
BB102093A-CK	3	American	Chrome
BB102094A-CK	4	American	Chrome



BB102092E-CK



BB102084E-CK

SEXY LIT

Part No.	Taps	Faucet Style	Finish
BB102085A-CK	1	American	Gold
BB102086A-CK	2	American	Gold
BB102087A-CK	3	American	Gold
BB102095A-CK	1	American	Chrome
BB102096A-CK	2	American	Chrome
BB102097A-CK	3	American	Chrome



BB102097E-CK

SEXY ICE

Part No.	Taps	Faucet Style	Finish
BB102095A-ICE	1	American	Chrome
BB102096A-ICE	2	American	Chrome
BB102097A-ICE	3	American	Chrome
BB102098A-ICE	4	American	Chrome



BB102098E-ICE

IDEA

Part No.	Taps	Faucet Style	Finish
BB102370A	1	American	Chrome
BB102370E	1	Euro Alpha	Chrome
BB102375A	2	American	Chrome
BB102375E	2	Euro Alpha	Chrome

* Please add "-CK" to the end of the above part numbers to order cold-ling.

* Sexy towers shown with European Faucets



BB102370A



BB102375E



DRAUGHT BEER TOWERS

MONACO



BB102320E



BB102310A



BB102330E



BB102390E-CK



BB102350E-CK



BB102395E-CK



BB101452A-CK



BB101453A-CK



BB101454E-CK

Part No.	Taps	Faucet Style	Finish
BB102300A	2	American	Chrome
BB102300E	2	Euro Alpha	Chrome
BB102310A	3	American	Chrome
BB102310E	3	Euro Alpha	Chrome
BB102315A	4	American	Chrome
BB102315E	4	Euro Alpha	Chrome
BB102320A	5	American	Chrome
BB102320E	5	Euro Alpha	Chrome
BB102325A	6	American	Chrome
BB102325E	6	Euro Alpha	Chrome
BB102330A	7	American	Chrome
BB102330E	7	Euro Alpha	Chrome

* Please add "-CK" to the end of the above part numbers to order cold-lined.

AMSTERDAM

Part No.	Taps	Faucet Style	Finish
BB102350A-CK	1	American	Chrome
BB102350E-CK	1	Euro Alpha	Chrome
BB102355A-CK	2	American	Chrome
BB102355E-CK	2	Euro Alpha	Chrome

* All Amsterdam towers are shipped cold-lined.

** BB102350E-CK shown with optional Zenith faucet.

CURVED SPINE

Part No.	Taps	Faucet Style	Finish
BB102390A-CK	1	American	Chrome
BB102390E-CK	1	Euro Alpha	Chrome
BB102395A-CK	2	American	Chrome
BB102395E-CK	2	Euro Alpha	Chrome

* All Curved Spine towers are shipped cold-lined.

COBRA PLUS

Part No.	Taps	Faucet Style	Finish
BB101451A-CK	1	American	Chrome
BB101451E-CK	1	Euro S/S Comp	Chrome
BB101452A-CK	2	American	Chrome
BB101452E-CK	2	Euro S/S Comp	Chrome
BB101453A-CK	3	American	Chrome
BB101453E-CK	3	Euro S/S Comp	Chrome
BB101454A-CK	4	American	Chrome
BB101454E-CK	4	Euro S/S Comp	Chrome

* All Cobra Plus towers are shipped cold-lined.

COBRA PLUS ICE

Part No.	Taps	Faucet Style	Finish
BB101451A-ICE	1	American	Chrome
BB101451E-ICE	1	Euro S/S Comp	Chrome
BB101452A-ICE	2	American	Chrome
BB101452E-ICE	2	Euro S/S Comp	Chrome
BB101453A-ICE	3	American	Chrome
BB101453E-ICE	3	Euro S/S Comp	Chrome
BB101454A-ICE	4	American	Chrome
BB101454E-ICE	4	Euro S/S Comp	Chrome

DRAUGHT BEER TOWERS

MONGOOSE

Part No.	Taps	Faucet Style	Finish
BB102140A-CK	1	American	Chrome
BB102140D-CK	1	Euro Blk Comp	Chrome
BB102140E-CK	1	Euro S/S Comp	Chrome
BB102140H-CK	1	Euro Blk NC	Chrome
BB102140J-CK	1	Euro S/S NC	Chrome
BB102141A-CK	1	American	Gold
BB102141D-CK	1	Euro Blk Comp	Gold
BB102141E-CK	1	Euro S/S Comp	Gold
BB102141H-CK	1	Euro Blk NC	Gold
BB102141J-CK	1	Euro S/S NC	Gold
BB102142A-CK	1	American	Black Nickel
BB102142D-CK	1	Euro Blk Comp	Black Nickel
BB102142E-CK	1	Euro S/S Comp	Black Nickel
BB102142H-CK	1	Euro Blk NC	Black Nickel
BB102142J-CK	1	Euro S/S NC	Black Nickel
BB102150A-CK	2	American	Chrome
BB102150D-CK	2	Euro Blk Comp	Chrome
BB102150E-CK	2	Euro S/S Comp	Chrome
BB102150H-CK	2	Euro Blk NC	Chrome
BB102150J-CK	2	Euro S/S NC	Chrome
BB102151A-CK	2	American	Gold
BB102151D-CK	2	Euro Blk Comp	Gold
BB102151E-CK	2	Euro S/S Comp	Gold
BB102151H-CK	2	Euro Blk NC	Gold
BB102151J-CK	2	Euro S/S NC	Gold
BB102152A-CK	2	American	Black Nickel
BB102152D-CK	2	Euro Blk Comp	Black Nickel
BB102152E-CK	2	Euro S/S Comp	Black Nickel
BB102152H-CK	2	Euro Blk NC	Black Nickel
BB102152J-CK	2	Euro S/S NC	Black Nickel

* All Mongoose towers are shipped cold-lined.



BB102141E-CK



BB102142E-CK



BB102150E-CK



BB102151E-CK



BB102152E-CK

DRAUGHT BEER TOWERS

MONGOOSE



BB102170A-CK

Part No.	Taps	Faucet Style	Finish
BB102160A-CK	3	American	Chrome
BB102160D-CK	3	Euro Bik Comp	Chrome
BB102160E-CK	3	Euro S/S Comp	Chrome
BB102160H-CK	3	Euro Bik NC	Chrome
BB102160J-CK	3	Euro S/S NC	Chrome
BB102161A-CK	3	American	Gold
BB102161D-CK	3	Euro Bik Comp	Gold
BB102161E-CK	3	Euro S/S Comp	Gold
BB102161H-CK	3	Euro Bik NC	Gold
BB102161J-CK	3	Euro S/S NC	Gold
BB102162A-CK	3	American	Black Nickel
BB102162D-CK	3	Euro Bik Comp	Black Nickel
BB102162E-CK	3	Euro S/S Comp	Black Nickel
BB102162H-CK	3	Euro Bik NC	Black Nickel
BB102162J-CK	3	Euro S/S NC	Black Nickel
BB102170A-CK	4	American	Chrome
BB102170D-CK	4	Euro Bik Comp	Chrome
BB102170E-CK	4	Euro S/S Comp	Chrome
BB102170H-CK	4	Euro Bik NC	Chrome
BB102170J-CK	4	Euro S/S NC	Chrome
BB102171A-CK	4	American	Gold
BB102171D-CK	4	Euro Bik Comp	Gold
BB102171E-CK	4	Euro S/S Comp	Gold
BB102171H-CK	4	Euro Bik NC	Gold
BB102171J-CK	4	Euro S/S NC	Gold
BB102172A-CK	4	American	Black Nickel
BB102172D-CK	4	Euro Bik Comp	Black Nickel
BB102172E-CK	4	Euro S/S Comp	Black Nickel
BB102172H-CK	4	Euro Bik NC	Black Nickel
BB102172J-CK	4	Euro S/S NC	Black Nickel

* All Mongoose towers are shipped cold-lined.



BB102172A-CK

BB102162E-CK



BB102161E-CK



DRAUGHT BEER TOWERS

PYTHON

Part No.	Taps	Faucet Style	Finish
BB102180A-CK	1	American	Chrome
BB102180D-CK	1	Euro Blk Comp	Chrome
BB102180E-CK	1	Euro S/S Comp	Chrome
BB102180H-CK	1	Euro Blk NC	Chrome
BB102180J-CK	1	Euro S/S NC	Chrome
BB102181A-CK	1	American	Gold
BB102181D-CK	1	Euro Blk Comp	Gold
BB102181E-CK	1	Euro S/S Comp	Gold
BB102181H-CK	1	Euro Blk NC	Gold
BB102181J-CK	1	Euro S/S NC	Gold
BB102182A-CK	1	American	Black Nickel
BB102182D-CK	1	Euro Blk Comp	Black Nickel
BB102182E-CK	1	Euro S/S Comp	Black Nickel
BB102182H-CK	1	Euro Blk NC	Black Nickel
BB102182J-CK	1	Euro S/S NC	Black Nickel
BB102190A-CK	2	American	Chrome
BB102190D-CK	2	Euro Blk Comp	Chrome
BB102190E-CK	2	Euro S/S Comp	Chrome
BB102190H-CK	2	Euro Blk NC	Chrome
BB102190J-CK	2	Euro S/S NC	Chrome
BB102191A-CK	2	American	Gold
BB102191D-CK	2	Euro Blk Comp	Gold
BB102191E-CK	2	Euro S/S Comp	Gold
BB102191H-CK	2	Euro Blk NC	Gold
BB102191J-CK	2	Euro S/S NC	Gold
BB102192A-CK	2	American	Black Nickel
BB102192D-CK	2	Euro Blk Comp	Black Nickel
BB102192E-CK	2	Euro S/S Comp	Black Nickel
BB102192H-CK	2	Euro Blk NC	Black Nickel
BB102192J-CK	2	Euro S/S NC	Black Nickel

*All Python towers are shipped cold-lined.



DRAUGHT BEER TOWERS

PYTHON



Part No.	Taps	Faucet Style	Finish
BB102200A-CK	3	American	Chrome
BB102200D-CK	3	Euro Blk Comp	Chrome
BB102200E-CK	3	Euro S/S Comp	Chrome
BB102200H-CK	3	Euro Blk NC	Chrome
BB102200J-CK	3	Euro S/S NC	Chrome
BB102201A-CK	3	American	Gold
BB102201D-CK	3	Euro Blk Comp	Gold
BB102201E-CK	3	Euro S/S Comp	Gold
BB102201H-CK	3	Euro Blk NC	Gold
BB102201J-CK	3	Euro S/S NC	Gold
BB102202A-CK	3	American	Black Nickel
BB102202D-CK	3	Euro Blk Comp	Black Nickel
BB102202E-CK	3	Euro S/S Comp	Black Nickel
BB102202H-CK	3	Euro Blk NC	Black Nickel
BB102202J-CK	3	Euro S/S NC	Black Nickel

* All Python towers are shipped cold-lined.



DRAUGHT BEER TOWERS

LIT PYTHON

Part No.	Taps	Faucet Style	Finish
BB102230A-CK	1	American	Chrome
BB102231A-CK	1	American	Gold
BB102232A-CK	1	American	Black Nickel
BB102240A-CK	2	American	Chrome
BB102241A-CK	2	American	Gold
BB102242A-CK	2	American	Black Nickel
BB102250A-CK	3	American	Chrome
BB102251A-CK	3	American	Gold
BB102252A-CK	3	American	Black Nickel

* All Lit towers are shipped cold-lined.

LIT MONGOOSE

Part No.	Taps	Faucet Style	Finish
BB102175A-CK	4	American	Chrome
BB102176A-CK	4	American	Gold
BB102177A-CK	4	American	Black Nickel

* Towers are available with European Compensator or Non-Compensator Taps.

POWER SUPPLY

Part No.	Description
BB502000	12V / 500 ma AC Adapter



BB102241D-CK



BB102230E-CK

All Lit towers feature illuminated merchandisers



BB102175A-CK



BB102252E-CK



BB502000

DRAUGHT BEER TOWERS

MILANO



BB102280E-CK

Part No.	Taps	Faucet Style	Finish
BB102280A-CK	1	American	Chrome
BB102280E-CK	1	Euro S/S Comp	Chrome
BB102280J-CK	1	Euro S/S NC	Chrome
BB102281A-CK	1	American	Gold
BB102281E-CK	1	Euro S/S Comp	Gold
BB102281J-CK	1	Euro S/S NC	Gold
BB102282A-CK	1	American	Black Nickel
BB102282E-CK	1	Euro S/S Comp	Black Nickel
BB102282J-CK	1	Euro S/S NC	Black Nickel

NEW LIT MILANO

Part No.	Taps	Faucet Style	Finish
BB102290A-CK	1	American	Chrome
BB102290E-CK	1	Euro S/S Comp	Chrome
BB102290J-CK	1	Euro S/S NC	Chrome
BB102291A-CK	1	American	Gold
BB102291E-CK	1	Euro S/S Comp	Gold
BB102291J-CK	1	Euro S/S NC	Gold
BB102292A-CK	1	American	Black Nickel
BB102292E-CK	1	Euro S/S Comp	Black Nickel
BB102292J-CK	1	Euro S/S NC	Black Nickel

* All Milano and Lit Milano towers are shipped cold-lined.

PANTHER

Part No.	Taps	Faucet Style	Finish
BB102105A-CK	3	American	Chrome
BB102105E-CK	3	Euro S/S Comp	Chrome
BB102105J-CK	3	Euro S/S NC	Chrome
BB102106A-CK	3	American	Gold
BB102106E-CK	3	Euro S/S Comp	Gold
BB102106J-CK	3	Euro S/S NC	Gold
BB102110A-CK	4	American	Chrome
BB102110E-CK	4	Euro S/S Comp	Chrome
BB102110J-CK	4	Euro S/S NC	Chrome
BB102111A-CK	4	American	Gold
BB102111E-CK	4	Euro S/S Comp	Gold
BB102111J-CK	4	Euro S/S NC	Gold

* All Panther towers are shipped cold-lined.

ICE PANTHER WITH LIT MEDALLIONS

Part No.	Taps	Faucet Style	Finish
BB102108A-ICE	3	American	Chrome
BB102108E-ICE	3	Euro S/S Comp	Chrome
BB102108J-ICE	3	Euro S/S NC	Chrome



BB102110A-CK



BB102111E-CK



BB102108E-ICE

DRAUGHT BEER TOWERS

ZEUS

Part No.	Taps	Faucet Style	Finish
BB101370CB	3	American	Chrome/Black
BB101370CG	3	American	Chrome/Green
BB101370CN	3	American	Chrome/Blue
BB101370CW	3	American	Chrome/White
BB101370GB	3	American	Gold/Black
BB101370GG	3	American	Gold/Green
BB101370GN	3	American	Gold/Blue
BB101370GW	3	American	Gold/White
BB101371CB	4	American	Chrome/Black
BB101371CG	4	American	Chrome/Green
BB101371CN	4	American	Chrome/Blue
BB101371CW	4	American	Chrome/White
BB101371GB	4	American	Gold/Black
BB101371GG	4	American	Gold/Green
BB101371GN	4	American	Gold/Blue
BB101371GW	4	American	Gold/White
BB101372CB	5	American	Chrome/Black
BB101372CG	5	American	Chrome/Green
BB101372CN	5	American	Chrome/Blue
BB101372CW	5	American	Chrome/White
BB101372GB	5	American	Gold/Black
BB101372GG	5	American	Gold/Green
BB101372GN	5	American	Gold/Blue
BB101372GW	5	American	Gold/White

* Please add "-CK" to the end of the above part numbers to order cold-ling.



LUCKY

Part No.	Taps	Faucet Style	Finish
BB102125A-CK	2	American	Chrome
BB102125D-CK	2	Euro Blk Comp	Chrome
BB102125E-CK	2	Euro S/S Comp	Chrome
BB102125H-CK	2	Euro Blk NC	Chrome
BB102125J-CK	2	Euro S/S NC	Chrome
BB102126A-CK	2	American	Gold
BB102126D-CK	2	Euro Blk Comp	Gold
BB102126E-CK	2	Euro S/S Comp	Gold
BB102126H-CK	2	Euro Blk NC	Gold
BB102126J-CK	2	Euro S/S NC	Gold

* All Lucky towers are shipped cold-lined.

PUB BRACKET CLAMP-ON TOWER

Part No.	Description
BB101340	1-Tap Black Tower with 3/4" Vinyl Tubing & Drip Tray (no drain)
BB101340S	1-Tap Stainless Steel Tower with 3/4" Vinyl Tubing & Drip Tray (no drain)
BB101341S	2-Tap Stainless Steel Tower with 3/4" Poly Tubing & Drip Tray (no drain)



DRAUGHT BEER TOWERS

NORTH AMERICAN TOWER COLLECTION

3" SINGLE METAL COLUMN



BB101402 BB101403 BB101406 BB101407



BB101419 BB101420



BB101397-1 BB101397-2 BB101398

Part No.	Taps	Faucet Style	Finish	Vinyl Tubing	S/S Tubing
BB101402	1	American	Chrome	x	
BB101403	1	American	Brass	x	
BB101404	1	American	Chrome		x
BB101405	1	American	Brass		x
BB101406	2	American	Chrome	x	
BB101407	2	American	Brass	x	
BB101408	2	American	Chrome		x
BB101409	2	American	Brass		x
BB101419	3	American	Chrome	x	
BB101420	3	American	Brass	x	
BB101397-1	Add-1-tap tower extension - Adds One tap to a Two Tap 3" tower				
BB101397-2	Add-2-taps tower extension - Adds Two taps to a One Tap 3" tower				
BB101398	Add-1-tap tower extension - Converts a 3" One tap to a Two Tap tower				

4" SINGLE METAL COLUMN

Part No.	Taps	Faucet Style	Finish
BB101410	3	American	Chrome
BB101411	3	American	Brass

3" SINGLE PEDESTAL "T" STYLE



BB101410 BB101411

Part No.	Taps	Faucet Style	Finish	Overall Length
BB101413	3	American	Stainless Steel	13.5"
BB101414	4	American	Stainless Steel	13.5"
BB101415	5	American	Stainless Steel	15.5"
BB101416	6	American	Stainless Steel	19"
BB101443	3	American	Brass	13.5"
BB101444	4	American	Brass	13.5"
BB101445	5	American	Brass	15.5"
BB101446	6	American	Brass	19"

* Please add "-CK" to the end of the above part numbers to order cold-ling.

4" SINGLE PEDESTAL "T" STYLE



BB101416 BB102020-05

Part No.	Taps	Faucet Style	Finish	Overall Length
BB102020-04	4	American	Stainless Steel	12"
BB102021-04	4	American	Chrome	12"
BB102020-05	5	American	Stainless Steel	16"
BB102021-05	5	American	Chrome	16"
BB102020-06	6	American	Stainless Steel	20"
BB102021-06	6	American	Chrome	20"
BB102020-08	8	American	Stainless Steel	24"
BB102021-08	8	American	Chrome	24"

* Please add "-CK" to the end of the above part numbers to order cold-ling.

3" DOUBLE PEDESTAL "T" STYLE



BB101418

Part No.	Taps	Faucet Style	Finish	Overall Length
BB101418	8	American	Stainless Steel	25"
BB101425	10	American	Stainless Steel	31"
BB101428	12	American	Stainless Steel	37"

* Please add "-CK" to the end of the above part numbers to order cold-ling.

DRAUGHT BEER TOWERS

4" DOUBLE PEDESTAL "T" STYLE

Part No.	Taps	Faucet Style	Finish	Overall Length
BB102030-08	8	American	Stainless Steel	27"
BB102031-08	8	American	Chrome	27"
BB102030-10	10	American	Stainless Steel	31"
BB102031-10	10	American	Chrome	31"
BB102030-12	12	American	Stainless Steel	39"
BB102031-12	12	American	Chrome	39"
BB102030-16	16	American	Stainless Steel	51"

* Please add "-CK" to the end of the above part numbers to order cold-lining.



BB102030-12

PASS THRU

Part No.	Taps	Faucet Style	Finish	Length
BB101379-06	6	American	Stainless Steel	30"
BB101379-08	8	American	Stainless Steel	33"
BB101379-10	10	American	Stainless Steel	39"
BB101379-12	12	American	Stainless Steel	45"
BB101379-16	16	American	Stainless Steel	57"

* Please add "-CK" to the end of the above part numbers to order cold-lining.



BB101379-08

4" PEDESTAL MINI MUSHROOM

Part No.	Taps	Faucet Style	Finish
BB101373B	3	American	Brass
BB101373C	3	American	Chrome
BB101374B	4	American	Brass
BB101374C	4	American	Chrome
BB101375B	5	American	Brass
BB101375C	5	American	Chrome

* Please add "-CK" to the end of the above part numbers to order cold-lining.

6" MUSHROOM

Part No.	Taps	Faucet Style	Finish
BB101384B	4	American	Brass
BB101384C	4	American	Chrome
BB101385B	5	American	Brass
BB101385C	5	American	Chrome
BB101386B	6	American	Brass
BB101386C	6	American	Chrome

* Please add "-CK" to the end of the above part numbers to order cold-lining.



BB101374C

BB101386C

3" DIA TOWER WITH MEDALLION - 1 SIDE

Part No.	Taps	Faucet Style	Finish
BB103392-C	1	American	Chrome
BB103393-BR	1	American	Brass
BB103396-C	2	American	Chrome
BB103397-BR	2	American	Brass
BB103398-C	3	American	Chrome
BB103399-BR	3	American	Brass

3" DIA TOWER WITH MEDALLION - 2 SIDES

Part No.	Taps	Faucet Style	Finish
BB103402-C	1	American	Chrome
BB103403-BR	1	American	Brass
BB103406-C	2	American	Chrome
BB103408-BR	2	American	Brass
BB103410-C	3	American	Chrome
BB103412-BR	3	American	Brass



BB103402-C

DOMESTIC TAP HANDLES

Part No.	Description
BB101255	2 1/4" Black Plastic Tap Handle
BB101260	Chrome Metal Tap Handle
BB101259-B	Clear Plastic Tap Handle with Black Base - Just add an insert to customize!



BB101255

1 1/4" Wide & 1 1/4" High



BB101259-B



BB101260



BB101258-B



BB101258



BB101258-W

EUROPEAN TAP HANDLES

Part No.	Description
BB101258-B	Black Plastic Tap Handle
BB101258	Chrome Metal Tap Handle
BB101258-W	White Plastic Tap Handle
BB101261-BLK	Black Plastic Tap Handle - 3 1/4" Tall
BB101261-CHR	Chrome Plastic Tap Handle - 3 1/4" Tall
BB101261-GLD	Gold Plastic Tap Handle - 3 1/4" Tall



NEW

BB101261-BLK



NEW

BB101261-GLD



Shotgun



Grenade



Tobie



Baton



NEW

BB101261-CHR

FAUCETS



BB101252

CHROME PLATED DOMESTIC FAUCETS

Part No.	Description
BB101252	Chrome Plated Faucet with Brass Lever
BB101250	Chrome Plated Faucet with Stainless Steel Lever

POLISHED BRASS DOMESTIC FAUCETS

Part No.	Description
BB101253	Polished Brass Faucet with Brass Lever
BB101251	Polished Brass Faucet with Stainless Steel Lever



S/S AND GOLD PLATED DOMESTIC FAUCETS

Part No.	Description
BB101248	Stainless Steel Faucet with Stainless Steel Lever
BB101249	Gold Plated Faucet with Brass Lever

PERLICK STAINLESS STEEL FAUCETS

Part No.	Description
BB1012125PL	Perlick Stainless Steel Faucet with Black Plastic Nozzle
BB101212SS	Perlick Stainless Steel Faucet with Stainless Steel Nozzle

* Replacement parts for Perlick Faucets are available. Please see page 19 for details.

STOUT FAUCETS

Part No.	Description
BB101254	Chrome Plated Free-Flow Faucet
BB101254-G	Gold Plated Free-Flow Faucet

SPOUT PLUG

Part No.	Description
CP101550	Faucet Spout Plug

EUROPEAN TAPS

Part No.	Description
BB101218C	Chrome Plated Tap with Black Nozzle
BB101218G	Gold Plated Tap with Black Nozzle
BB101219C	Chrome Plated Tap with Stainless Steel Nozzle
BB101219G	Gold Plated Tap with Stainless Steel Nozzle

EUROPEAN TAPS WITH US THREAD

Part No.	Description
BB101233	Gold Plated with S/S Nozzle - No Shank
BB101233-55	Gold Plated with S/S Nozzle and 55 mm Shank
BB101234	Chrome Plated with S/S Nozzle - No Shank
BB101234-55	Chrome Plated with S/S Nozzle and 55 mm Shank
BB101244-CS	XM [®] Chrome Plated Plastic Tap with Short Black Nozzle

BB101254



BB101253



BB101212SS



CP101550



BB101254-G



BB101244-CS



BB101234



EUROPEAN COMPENSATOR TAPS

Part No.	Description
BB101220C	Chrome Plated Tap with Black Nozzle
BB101220G	Gold Plated Tap with Black Nozzle
BB101221C	Chrome Plated Tap with Stainless Steel Nozzle
BB101221G	Gold Plated Tap with Stainless Steel Nozzle

* Replacement parts for Imported Taps are available.

* European Compensator Taps equipped with 1/2" thread shanks.
3/4" Shanks also available.

EURO ALPHA TAPS

Part No.	Description
BB101225	Chrome Plated Tap with Stainless Steel Nozzle

* European Alpha Taps equipped with 1/2" thread shanks.



BB101225



BB101220C



BB101221C

WINE FAUCETS

Part No.	Description
BB101236	Burgundy Wine Faucet with Chrome Nozzle
BB101236-HD	Burgundy Wine Faucet with Burgundy Tap Handle
BB101237	Black Faucet with Chrome Nozzle
BB101239	White Wine Faucet with Chrome Nozzle
BB101239-HD	White Wine Faucet with White Tap Handle



BB101220G



BB101236



BB101237



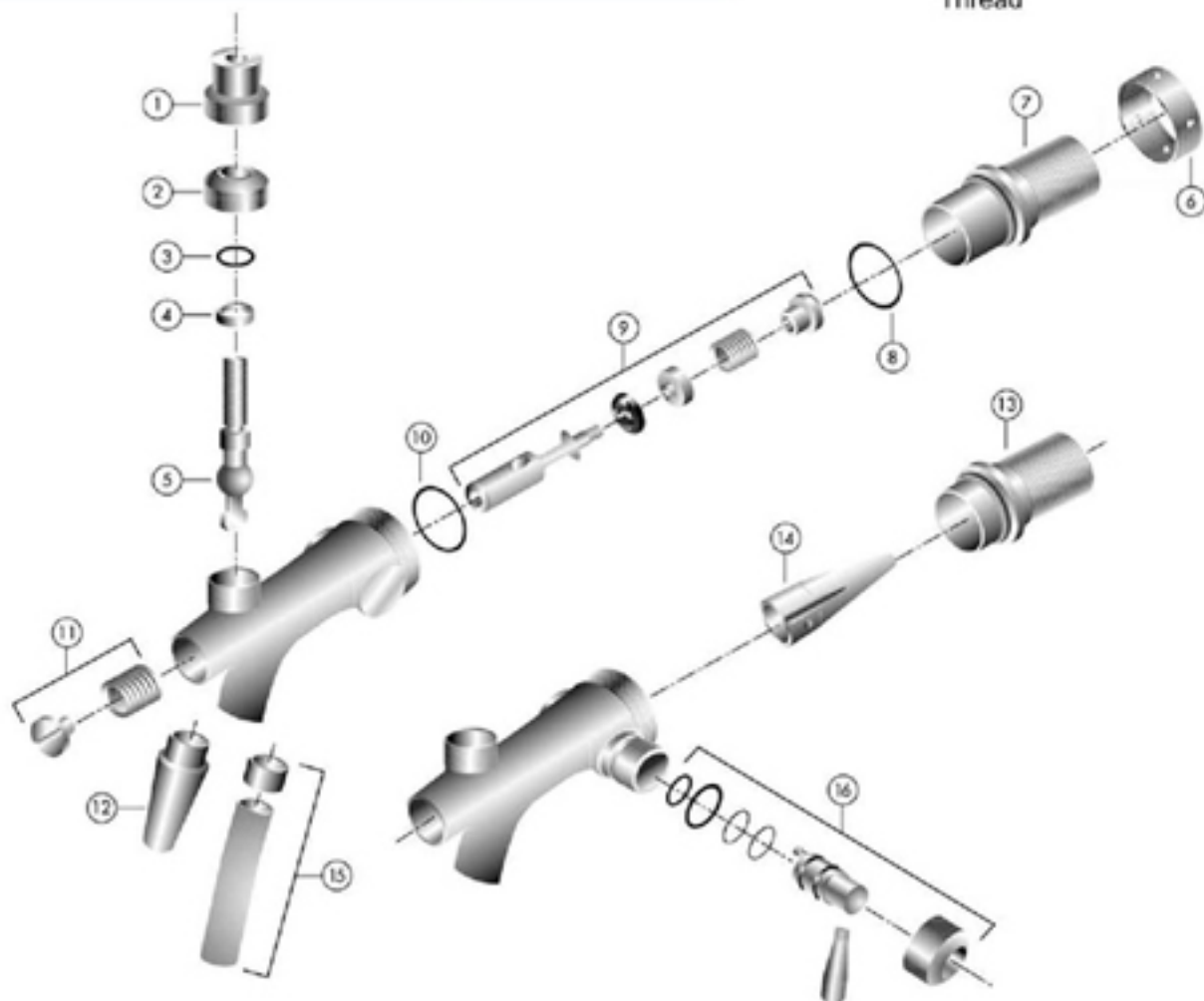
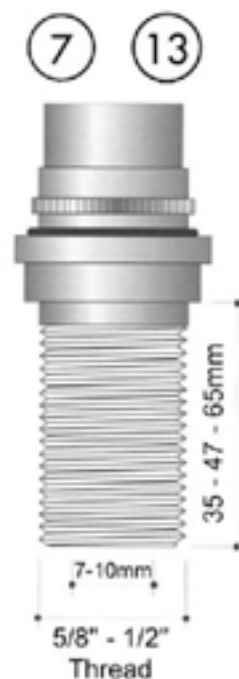
BB101239



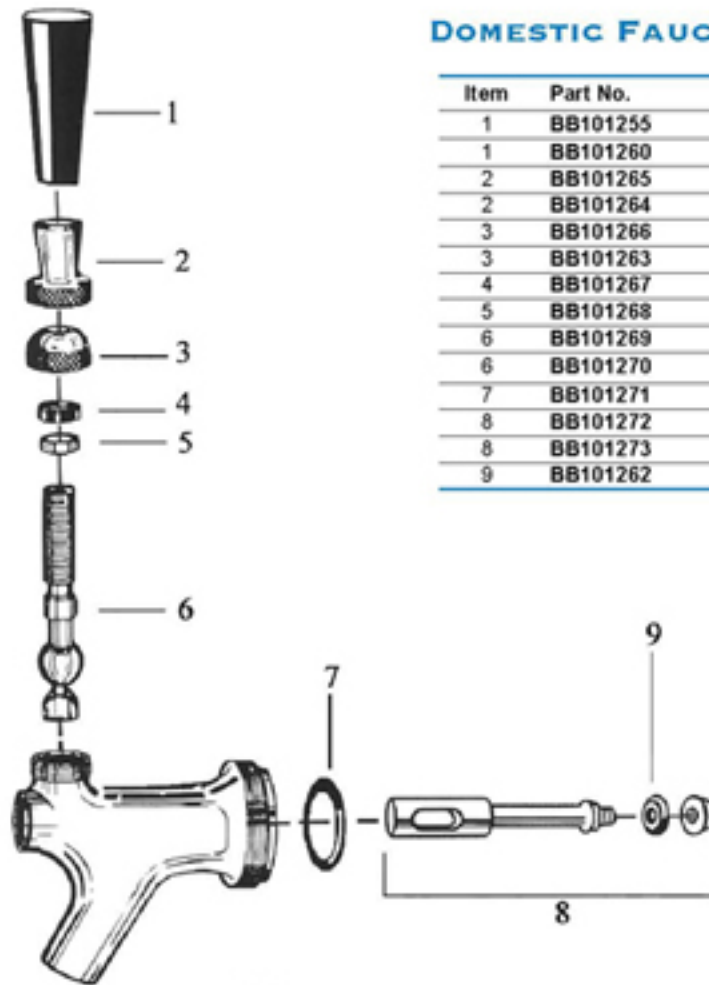
BB101221G

EUROPEAN TAP REPLACEMENT PARTS

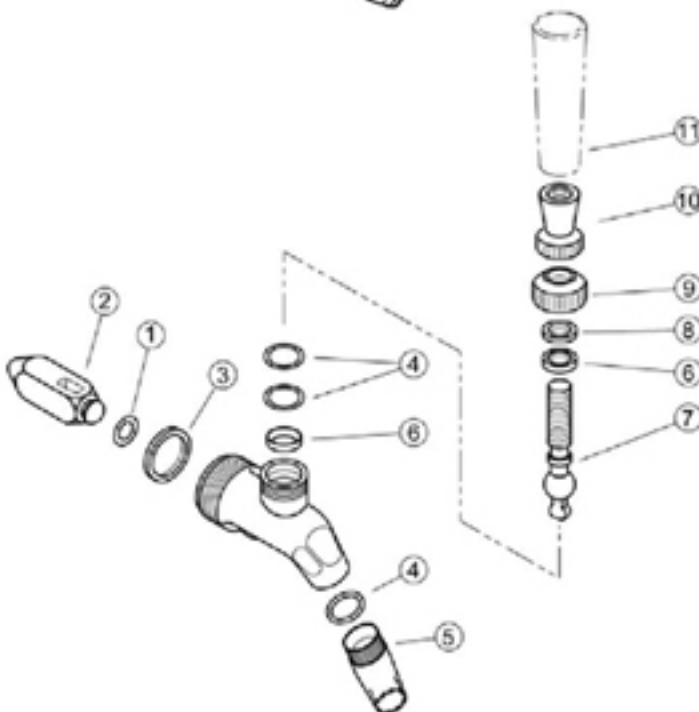
Item	Part No.	Description
1	BB101265-EC	Chrome Euro Collar
1	BB101264-EG	Gold Euro Collar
2	BB101266-EC	Chrome Euro Bonnet
2	BB101263-EG	Gold Euro Bonnet
3	BB101267-E	Euro Friction Washer
4	BB101268-E	Euro Ball Washer
5	BB101270-E	S/S Euro Lever
6	BB101328-EC	Chrome Euro Coupling Nut
6	BB101328-EG	Gold Euro Coupling Nut
7	BB101311-07	3/4" x 35mm x 7mm Bore Euro Non-Compensator Shank
7	BB101312-07	1/2" x 35mm x 7mm Bore Euro Non-Compensator Shank
7	BB101313-10	3/4" x 35mm x 10mm Bore Euro Non-Compensator Shank
8	BB101210-01	Euro Outer Faucet Washer
9	BB101272-E	Euro Shaft Assembly
10	BB101210-02	Euro Inner Faucet Washer
11	BB101210-03	Euro Head Spring / Screw Kit
12	BB101210	Black Plastic Nozzle
13	BB101308	3/4" x 35mm x 10mm Bore Euro Compensator Shank
13	BB101309	3/4" x 47mm x 10mm Bore Euro Compensator Shank
13	BB101310	1/2" x 35mm x 7mm Bore Euro Compensator Shank
14	BB101272-EFCS	Euro Flow Control Shuttle
15	BB101210-SS	Euro Stainless Steel Nozzle Kit
16	BB101272-EFCL	Euro Flow Control Lever Assembly



DOMESTIC FAUCET REPLACEMENT PARTS



Item	Part No.	Description
1	BB101255	Black Faucet Knob
1	BB101260	Chrome Plated Faucet Knob
2	BB101265	Lever Collar
2	BB101264	Brass Lever Collar
3	BB101266	Lever Bonnet
3	BB101263	Brass Lever Bonnet
4	BB101267	Friction Washer
5	BB101268	Ball Washer
6	BB101269	Brass Lever
6	BB101270	Stainless Steel Lever
7	BB101271	Faucet Washer
8	BB101272	Chrome Shaft Assembly
8	BB101273	Brass Shaft Assembly
9	BB101262	Valve Seat



PERLICK FAUCET REPLACEMENT PARTS

Item	Part No.	Description
1	BB101212-SS109	Shaft Seat
2	BB101212-SS110	Stainless Steel Shaft
3	BB101212-SS308	Coupling Gasket
4	BB101212-SS008	Faucet O'Ring (Faucet contains 3)
5	BB101212-SS003	Stainless Steel Spout
5	BB101212-SS003A	Black Plastic Spout
6	BB101212-SS005	Bearing Cups (Faucet contains 2)
7	BB101212-BR-LVR	Brass Lever
7	BB101212-SS-LVR	Stainless Steel Lever
8	BB101212-SS307	Bonnet Washer
9	BB101212-CHR-BNT	Chrome Bonnet
10	BB101212-CHR-CLR	Chrome Collar
11	BB101255	Black Faucet Knob
11	BB101260	Chrome Plated Faucet Knob

FAUCETS



BB101259-KIT



BB101254FS



BB101254OR



BB101254DS



BB101539



BB700420



NEW

BB700415



BB700405



BB700410



BB700415



BB700429-C



BB700428-C



BB700430-C



BB700430-B



BB101719



BB101725



BB101435



CP101712



BB101721

STOUT FAUCET REPLACEMENT PARTS

Part No.	Description
BB101259-KIT	Stout Faucet Nozzle Kit
BB101254-25	Stout Faucet Creamer Plate-.25mm
BB101254DS	Stout Faucet Creamer Plate-.30mm
BB101254FS	Flow Straightener
BB101254OR	BS 013 O'Ring

EUROPEAN TAP FITTINGS

Part No.	Description
BB101538	1/2" x 1/8" Straight Tailpiece
BB101539	3/8" x 1/8" Straight Tailpiece
BB101541	1/4" x 1/8" Bent Tailpiece
BB101548	Euro Hex Nut

FAUCET LOCKS

Part No.	Description
BB700405	Metal Slide-on Faucet Lock
BB700410	Faucet Shaft Locking Device
BB700415	Perlick Faucet Lock
BB700420	Stout Faucet Lock - Padlock not included

TAP HANDLE EXTENSIONS

Part No.	Description
BB700428-C	1" Chrome Extension
BB700429-C	2" Chrome Extension
BB700430-B	Brass Angled Extension
BB700430-C	Chrome Angled Extension

FAUCET PLUG

Part No.	Description
BB101435	Faucet Plug

FAUCET TOOLS

Part No.	Description
BB101719	Faucet Wrench
BB101721	Deluxe Faucet Wrench
BB101725	Euro Faucet Wrench

FAUCET CLEANING BRUSH

Part No.	Description
CP101712	8" x 1/4" Faucet Brush



Chrome



Gold



Black Nickel

OVAL VERTICAL MEDALLION ASSEMBLIES

Part No.	Description
BB501100	Chrome with Angled Support
BB501105B	Black Nickel
BB501105C	Chrome
BB501105G	Gold
BB501107B	Tall Black Nickel
BB501107C	Tall Chrome
BB501107G	Tall Gold
BB501108B	Extra Tall Black Nickel
BB501108C	Extra Tall Chrome
BB501108G	Extra Tall Gold



OVAL HORIZONTAL MEDALLION ASSEMBLIES

Part No.	Description
BB501110B	Black Nickel
BB501110C	Chrome
BB501110G	Gold
BB501112B	Tall Black Nickel
BB501112C	Tall Chrome
BB501112G	Tall Gold
BB501113B	Extra Tall Black Nickel
BB501113C	Extra Tall Chrome
BB501113G	Extra Tall Gold



MEDALLIONS

ROUND MEDALLION ASSEMBLIES

Part No.	Description
BB501101C	Chrome with Angled Support
BB501125B	Black Nickel
BB501125C	Chrome
BB501125G	Gold
BB501130B	Tall Black Nickel
BB501130C	Tall Chrome
BB501130G	Tall Gold
BB501131B	Extra Tall Black Nickel
BB501131C	Extra Tall Chrome
BB501131G	Extra Tall Gold



SQUARE MEDALLION ASSEMBLIES

Part No.	Description
BB501190B	Black Nickel
BB501190C	Chrome
BB501190G	Gold



TRIPLE "CROWN" ASSEMBLIES

Part No.	Description
BB501200B	Black Nickel
BB501200C	Chrome
BB501200G	Gold



ROUND MEDALLION WITH SCREW

Part No.	Description
BB501170	Chrome



3" DIA. TOWER CAP WITH MEDALLION - 1 SIDE

Part No.	Finish
BB103440-BR	Brass
BB103440-C	Chrome



3" DIA. TOWER CAP WITH MEDALLION - 2 SIDES

Part No.	Finish
BB103442-BR	Brass
BB103442-C	Chrome

MEDALLION PLATES

MEDALLION PLATES

Part No.	Description
BB501120	Round Ceramic
BB501121	Oval Ceramic
BB501119	Round Clear Acrylic
BB501122	Square Ceramic



DRIP TRAYS



BB700810



BB700812



BB700810B



BB701910



BB701912



BB700061

STAINLESS STEEL - NO DRAIN

Part No.	Length	Insert
BB700800	10 ¹ / ₂ "	Plastic
BB700802	10 ¹ / ₂ "	Stainless Steel
BB700810	15"	Plastic
BB700812	15"	Stainless Steel
BB700815	20"	Plastic
BB700817	20"	Stainless Steel
BB700820	24"	Plastic
BB700822	24"	Stainless Steel
BB700832	30"	Stainless Steel

* (5¹/₈" D x 3/4" H)

BRASS - NO DRAIN

Part No.	Length	Insert
BB700800B	8"	Black Plastic
BB700810B	15"	Black Plastic

* (5¹/₈" D x 3/4" H)

STAINLESS STEEL - WITH DRAIN

Part No.	Length	Insert
BB701900	10 ¹ / ₂ "	Plastic
BB701902	10 ¹ / ₂ "	Stainless Steel
BB701910	15"	Plastic
BB701912	15"	Stainless Steel
BB701915	20"	Plastic
BB701917	20"	Stainless Steel
BB701920	24"	Plastic
BB701922	24"	Stainless Steel
BB701932	30 ¹ / ₄ "	Stainless Steel
BB701937	33"	Stainless Steel
BB701942	36"	Stainless Steel
BB701947	39"	Stainless Steel
BB701952	45 ¹ / ₄ "	Stainless Steel
BB701962	51"	Stainless Steel
BB701967	57"	Stainless Steel

* (5¹/₈" D x 3/4" H)

BRASS - WITH DRAIN

Part No.	Length	Insert
BB701900-BR-P	8"	Black Plastic
BB701910-BR-P	15"	Black Plastic
BB701920-BR-P	24"	Black Plastic

* Brass Trays with Brass Inserts are also available.
(5¹/₈" D x 3/4" H)

STAINLESS STEEL EUROPEAN - WITH DRAIN

Part No.	Length	Holes
BB700060	15 ¹ / ₄ " (400mm)	None
BB700060-1	15 ¹ / ₄ " (400mm)	1
BB700060-2	15 ¹ / ₄ " (400mm)	2
BB700061	19 ¹ / ₁₆ " (500mm)	None
BB700061-1	19 ¹ / ₁₆ " (500mm)	1
BB700061-2	19 ¹ / ₁₆ " (500mm)	2
BB700060-3	19 ¹ / ₁₆ " (500mm)	3
BB700063	27 ¹ / ₁₆ " (700mm)	None
BB700063-1	27 ¹ / ₁₆ " (700mm)	1
BB700063-2	27 ¹ / ₁₆ " (700mm)	2
BB700063-3	27 ¹ / ₁₆ " (700mm)	3
BB700063-4	27 ¹ / ₁₆ " (700mm)	4

* 15¹/₄" (400mm) D x 1¹/₁₆" (30mm) H

DRIP TRAYS

STAINLESS STEEL WITH CUT-OUT - No DRAIN

Part No.	L x D x H	Tower Diameter	Insert
BB700105	15" x 7½" x ⅜"	4½"	Stainless Steel
BB700120	18" x 9" x ⅜"	6¼"	Stainless Steel



BB700120

STAINLESS STEEL WITH CUT-OUT - WITH DRAIN

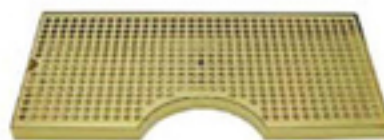
Part No.	L x D x H	Tower Diameter	Insert
BB701713	14" x 8" x ¾"	6"	Stainless Steel
BB701110	15" x 7½" x ⅜"	4½"	Stainless Steel
BB701125	18" x 9" x ⅜"	6¼"	Stainless Steel
BB701719	19" x 9" x ⅜"	7½"	Stainless Steel
BB701150	19¼" x 10" x 1"	8¼"	Stainless Steel
BB701221	24" x 11" x ⅜"	7½"	Stainless Steel
BB701718	18" x 9" x ⅜"	5¾"	Stainless Steel
BB701145	19¼" x 10" x ⅜"	6½"	Stainless Steel



BB701125

BRASS WITH CUT-OUT - WITH DRAIN

Part No.	L x D x H	Tower Diameter	Insert
BB701713BR	14" x 8" x ¾"	6"	Brass
BB701718BR	18" x 9" x ⅜"	5¾"	Brass
BB701719BR	19" x 9" x ⅜"	7½"	Brass
BB701721BR	24" x 11" x ⅜"	7½"	Brass



BB701718BR

STAINLESS STEEL WITH GLASS RINSER

Part No.	L x D x H	Insert
BB701890-SPRAY	8" x 8" x ⅜"	Stainless Steel with Center Sprayer
BB701902-SPRAY	10" x 7" x ⅜"	Stainless Steel with Center Sprayer
BB701912-SPRAY	15" x 7" x ⅜"	Stainless Steel with Center Sprayer
BB701917-SPRAY	20" x 7" x ⅜"	Stainless Steel with Side Sprayer
BB701922-SPRAY	24" x 7" x ⅜"	Stainless Steel with Side Sprayer
BB701932-SPRAY	30" x 7" x ⅜"	Stainless Steel with Side Sprayer
BB701942-SPRAY	36" x 7" x ⅜"	Stainless Steel with Side Sprayer
BB701952-SPRAY	45" x 7" x ⅜"	Stainless Steel with Side Sprayer



BB701912-SPRAY



BB701922-SPRAY

STAINLESS STEEL TRAYS WITH CUT-OUT & GLASS RINSER

Part No.	L x D x H	Tower Diameter	Insert
BB701110-SPRAY	15" x 7½" x ⅜"	4½"	Stainless Steel
BB701125-SPRAY	18" x 9" x ⅜"	6¼"	Stainless Steel



BB701110-SPRAY

STAINLESS STEEL EUROPEAN WITH GLASS RINSER

Part No.	Length	Holes
BB700070	15¼" (400mm)	None
BB700070-1	15¼" (400mm)	1
BB700070-2	15¼" (400mm)	2
BB700071	19⅞" (500mm)	None
BB700071-1	19⅞" (500mm)	1
BB700071-2	19⅞" (500mm)	2
BB700071-3	19⅞" (500mm)	3
BB700073	27⅞" (700mm)	None
BB700073-1	27⅞" (700mm)	1
BB700073-2	27⅞" (700mm)	2
BB700073-3	27⅞" (700mm)	3
BB700073-4	27⅞" (700mm)	4
BB700076	39⅞" (1000mm)	None
BB700076-1	39⅞" (1000mm)	1
BB700076-2	39⅞" (1000mm)	2
BB700076-3	39⅞" (1000mm)	3
BB700076-4	39⅞" (1000mm)	4



BB700070



BB700071



BB700073

* 15¼" (400mm) D x 1⅞" (32mm) H

DRIP TRAYS

CLAMP-ON TOWER BRACKET WITH DRIP TRAY

The ideal solution for temporary tower installations or where cutting through the bar top is not possible.



Part No.	Description
BB701695	Chrome Plated Tower Bracket with Drip Tray
BB701699	Black Powder Coated Tower Bracket with Drip Tray

UNDERCOUNTER MOUNT WITH GLASS RINSER

Part No.	Description
BB101177	8" x 8" Tray comes complete with: <ul style="list-style-type: none"> • Stainless Steel insert • Sprayer Assembly • Tubing & Fittings • Mounting Hardware

WALL MOUNTED DRIP TRAYS - NO DRAIN

Part No.	Description	L x W x H	Insert
BB700049	Plastic	5 1/2" x 5 1/2" x 3"	Chrome
BB700050	Stainless Steel	6" x 4 1/2" x 5"	Plastic

STAINLESS STEEL WALL MOUNT - WITH DRAIN

Part No.	L x D x H	Insert	Holes
BB700051-0	8" x 6 1/2" x 14"	Stainless Steel	None
BB700051-1	8" x 6 1/2" x 14"	Stainless Steel	1
BB700051-2	8" x 6 1/2" x 14"	Stainless Steel	2
BB700052	12" x 8 1/2" x 14"	Plastic Insert	2
BB700053-0	12" x 6 1/2" x 14"	Stainless Steel	None
BB700053-1	12" x 6 1/2" x 14"	Stainless Steel	1
BB700053-2	12" x 6 1/2" x 14"	Stainless Steel	2
BB700053-3	12" x 6 1/2" x 14"	Stainless Steel	3

DRIP TRAY ACCESSORIES

Part No.	Description
BB101180	Drain Nut with 1/2" Nipple
BB101184	Drain Assembly for True Direct Draw Cabinets
BB101185	Drain Flange Adaptor with 1/2" Angled Spout
BB101186	4" Brass Drain with Lock Nut and Washer
BB101187	2" Brass Drain with Lock Nut and Washer
BT600740	1/2" I.D. Drain Tubing - Grey
BT600750	3/4" I.D. Drain Tubing - Grey
BT601000	1" I.D. Drain Tubing - Grey
QD100633	John Guest 1/2" B.S.P. x 1/2" Tube Water Connection
MP555017	50PSI Water Regulator
MP555018	30PSI Water Regulator
MP551825	1/4" x 1/4" Plastic Shut-Off
MP551830	1/4" x 1/2" Plastic Shut-Off
MP551837	1/2" x 1/2" Plastic Shut-Off
SF143325	1/4" x 1/4" x 1/4" SS Tee
BB101179	Glass Rinser Assembly
BB101179-BLK	Heavy Duty Glass Rinser Assembly
WF006250	6" In-Line Water Filter - 1/2" FMPT



DRAUGHT BEER SYSTEMS

GLYCOL POWER PACKS - AIR COOLED*

Part No.	Description	Exterior Dimensions W" x H" x D"	# Pumps	Max. Dist.	Bath Size
BB990025	1/2 HP	23 1/2 x 16 1/4 x 20 1/2	1	60'	5.5 Gal.
BB990003	1/2 HP	28 x 13 x 17	1	85'	4 Gal.
BB990028	1/2 HP	27 x 28 1/2 x 17 1/2	1	150'	12 Gal.
BB990031	1/2 HP	27 x 28 1/2 x 17 1/2	1	250'	12 Gal.
BB990034	1/2 HP	27 x 28 1/2 x 24 1/2	2	250'	12 Gal.
BB990015-1	3/4 HP	27 1/4 x 31 x 23	1	350'	12 Gal.
BB990015-2	3/4 HP	27 1/4 x 31 x 23	2	350'	12 Gal.

* Indicates one-way distance from cooler to point of dispense.



BB990025



BB990003

ICE CUBE - REDUCE SERVING TEMPERATURE OF DRAUGHT BEER

Part No.	Description
BB900200	Ice Cube - 1 Line - 115V
BB900202	Ice Cube - 2 Lines - 115V

GLYCOL POWER PACK REPLACEMENT PARTS

Part No.	Description
MP000483	50 GPH Brass Valve Pump
MP000485	75 GPH Brass Valve Pump
MP000479	100 GPH Brass Valve Pump with Strainer
MP000499	Foam Pump Jacket
MP551740	1/2 HP Motor - 1725 RPM
BB990000-CPA	Pump Assembly for BB990000
BB990025-CPA	Pump Assembly for BB990025
BB900105-DG	Thermostat for 150' and up Power Packs
CO881742	3/8" MPT x 1/2" Barb Brass Tailpiece
MP000448	Dumper Coupling Kit - prolongs motor life!



BB990028



MP551740



BB900105-DG



BB900200



BB990025-CPA



MP000479



MP000485



MP000448



MP000499

DRAUGHT BEER SYSTEMS

FLASH COOLERS – AIR COOLED



BB900209

Part No.	Description	Exterior Dimensions W" x H" x D"
BB900209	¼ HP 115V Flash Cooler with 4 x 7.5m S/S Coils	23¼" x 11½" x 17¼"
BB900213	½ HP 115V Flash Cooler with 6 x 12m S/S Coils	25" x 22¼" x 18½"

FLASH COOLER REPLACEMENT PARTS

Part No.	Description
BB900209-05	Agitator Motor / Pump Assembly for B900209
BB900209-06	Thermostat for BB900209



BB900209-05



BB990099

INSTALLATION & SERVICE PRODUCTS

PROPYLENE GLYCOL

Part No.	Description
BB990099	4L Container - mix with 4 litres of water

* Sold individually or in cases of 4.

TAPES

Part No.	Description
MP100700	Insulation Tape – 2" x 30' Per Box
MP100800	Vinyl Electrical Tape – 2" Wide
MP000777	Teflon Tape

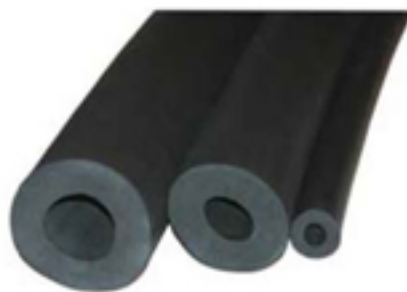
INSULATION



MP100700



MP100800



INSULATION

Part No.	I.D.	Wall Thickness
BT000118	1½"	⅜"
BT000138	1½"	⅜"
BT000158	1½"	⅜"
BT000218	2½"	⅜"
BT007078	⅞"	⅜"
BT007118	1½"	⅜"
BT007138	1½"	⅜"
BT007158	1½"	⅜"
BT007218	2½"	⅜"

* Insulation sold in 6' lengths only. When ordering please specify quantities of 6' pieces.

COLD-KIT COMPONENTS

Part No.	Description
BB431910	⅜" OD ACR Copper Cooling Loop
SF600375	S/S ⅜" OD Tube Compression x ⅜" Barb
BB700218	Square Brass Cold Block - Fits ⅜" Shanks

CABLE TIES

Part No.	Description
MP000770	7" Cable Tie
MP000771	11" Cable Tie
MP000772	15" Cable Tie
MP000773	7" Cable Tie with Screw Mount
MP000774	11" Cable Tie with Screw Mount
MP000775	15" Cable Tie with Screw Mount



BB431910

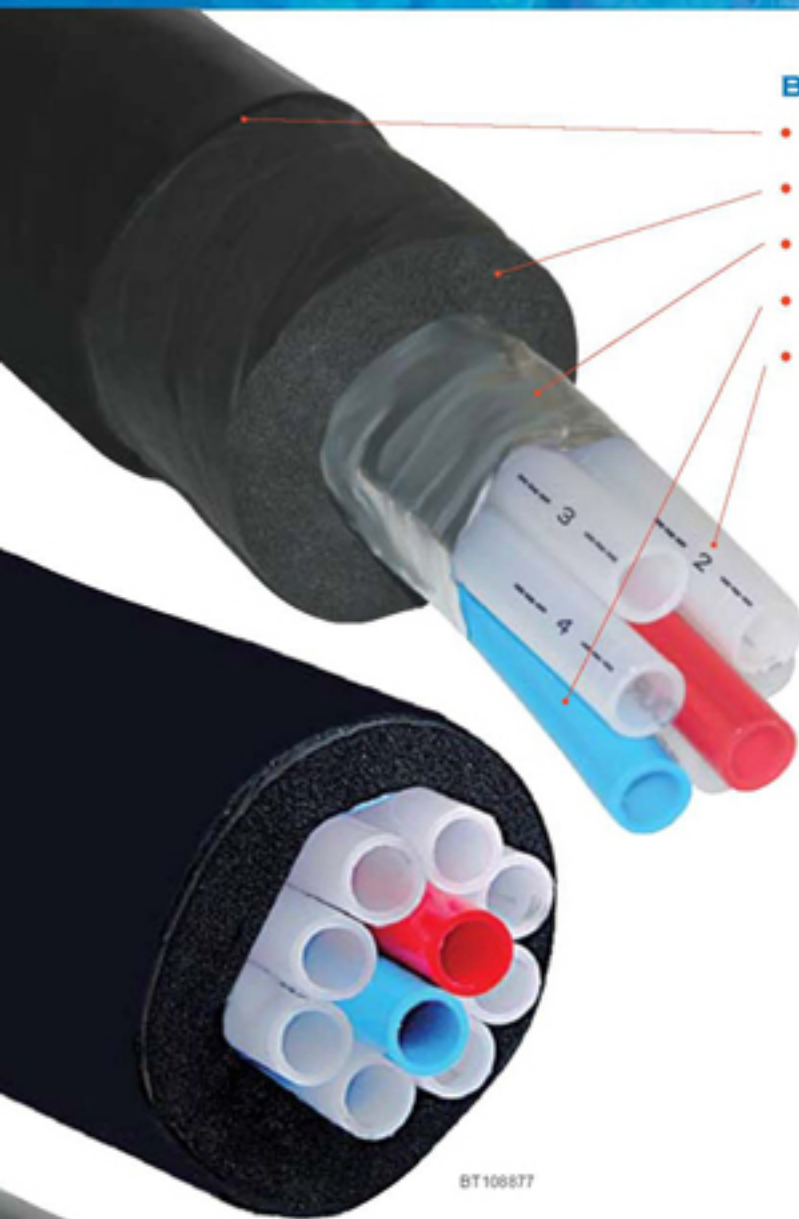
MPP000774

MPP000771

DRAUGHT BEER SYSTEMS

BUNDLED TUBING

- Tough Protective PVC Jacket
- Armaflex Insulation
- Aluminized Mylar Wrapping
- Color-coded Glycol Re-Circulation Tubes
- Individually Numbered Product Tubes



BT108877

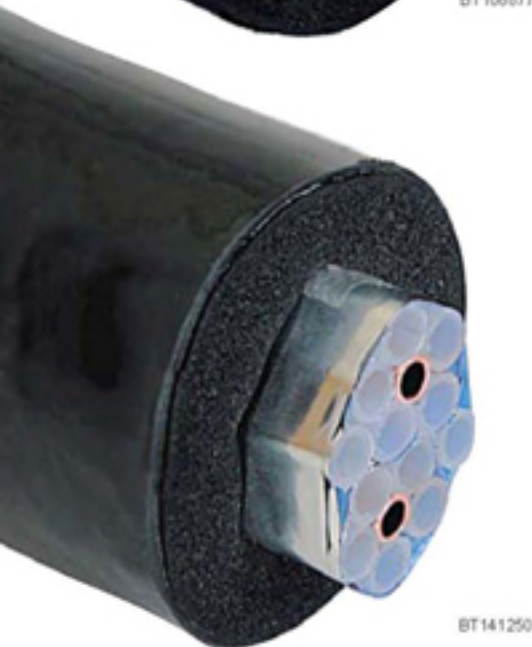
BUNDLED TUBING WITH 3/8" I.D. BARRIER TUBING AND RED AND BLUE 3/8" ID GLYCOL TUBES

3/8" ID PRODUCT TUBES & 1/2" WALL INSULATION

Part No.	Product Tubes	Glycol Tubes
BT040202	2	2
BT064477	4	2
BT086677	6	2
BT108877	8	2
BT121077	10	2

BUNDLED TUBING WITH 3/8" ACR COPPER COOLING TUBES AND BARRIER TUBING

Part No.	Product Tubes	ID	Copper Tubes	Length	Insulation
BT100830-200	8	3/8"	2	200'	3/4"
BT141250-400	12	1/4"	2	200'	1/2"



BT141250

Tubing configurations can be cut to order and shipped the same day!

DRAUGHT BEER SYSTEMS

FOB DETECTORS - 3/8" BARB FITTINGS INCLUDED

Part No.	Description
MP551050	Tecflo Classic FOB
MP551055	Tecflo Deluxe FOB
SF087100	1/4" Barb "Y" Fitting for FOB Tubing
BT385175	1/4" ID X 3/4" OD FOB Tubing- Clear

S/S BEER RESERVOIR WITH PRV

Part No.	Description
BB101662	2 Outlet
BB101663	3 Outlet
BB101664	4 Outlet



- Top-mounted bleed valve assembly is completely removable!

- Larger, thicker plastic bowl for added durability and ease of cleaning.

- Better ball seal design allows user to unseat ball with less upwards force.

- Bottom-mounted inlet/outlet permits removal of bowl for better cleaning - without disconnecting beer lines!

FLOW CONTROL

Part No.	Description
MP551060	Flow Control - 1/2" OD In & 1/4" OD Out
MP555022	Flojet Beer Pump



FLOW MONITORING SYSTEMS

Part No.	Description
FM200222	2 Line Flow Monitor-Powered by 2 x AAA Batteries
FM200244	4 Line Flow Monitor-12V AC Power Source
FM200288	16 Line Flow Monitor-12V AC Power Source Includes Draft Manger Software
BB700450	Bos Control Tap - Attaches to US Coupling Nut



Designed to work in Portable Draught Beer Dispensers.



DRAUGHT BEER SYSTEMS

REFRIGERATOR CONVERSION KITS

Refrigerator Conversion Kits are the perfect solution to convert a standard refrigerator into a draught beer dispenser! Each kit comes complete with everything needed to dispense draught beer! Just add beer and CO₂ and you can dispense draught beer anywhere!



CK101465



CK101467

STANDARD REFRIGERATOR CONVERSION KIT

Part No.	Kit Includes:
CK101465	<ul style="list-style-type: none"> - Single Gauge Regulator - Lever Handle US Sankey with Rotating Probe - Air Line with Clamps - 1/8" ID - Beer Line - 1/8" ID - Drip Tray - Faucet and Shank - CO₂ Wrench - Faucet Wrench - Black Plastic Tap Handle - Instructions

DELUXE REFRIGERATOR CONVERSION KIT

Part No.	Kit Includes:
CK101467	<ul style="list-style-type: none"> - Double Gauge Regulator - Lever Handle US Sankey with Rotating Probe - Air Line with Clamps - 1/8" ID - Beer Line - 1/8" ID - Faucet and Shank - Drip Tray - CO₂ Wrench - Deluxe Faucet Wrench - Faucet Cleaning Brush - Black Plastic Tap Handle - Instructions

* Ball-lock kits also available.

1 QUART CLEANING KIT

Part No.	Kit Includes:
CP151040-KIT	<ul style="list-style-type: none"> - 1qt Plastic Bottle with Metal Pump - Faucet Wrench - Faucet Brush - Beer Line Cleaner - 4oz Bottle

CO₂ CYLINDERS

Part No.	Description
CO888987	2.5 lb Aluminum Cylinder
CO888990	5 lb Aluminum Cylinder
CO888993	10 lb Aluminum Cylinder
CO889000	20 lb Aluminum Cylinder

CONVERSION KIT PARTS & ACCESSORIES

Part No.	Description
OC994	#4 Gear Clamps
OC995	#5 Gear Clamps
CP101748	4oz Bottle "BLC" Cleaner
BB101007	White Handled American Sankey Keg Coupler
CO882069C	Standard Kit Replacement Regulator
CO882061C	Deluxe Kit Replacement Regulator

OPTIONAL COMPONENTS

Part No.	Description
BB101254	Chrome Stout Faucet
BB101254G	Gold Stout Faucet
CO892060C	Primary N ₂ Regulator



CP151040-KIT



CO888990



OC994



CP101748



BB101007



CO882069C



BB101254



BB101254G



CO892060C

DRAUGHT BEER SYSTEMS



RE901110A



SELF-CONTAINED KEG FRIDGE

Part No.	Description
RE901059A	Black Single Keg Fridge
RE901110A	Stainless Steel Single Keg Fridge

FRIDGE IS COMPLETE WITH:

- 2.5" dia. Chrome Single Tap Tower
- 2.5 lb Aluminium CO₂ Cylinder
- US Sankey Keg Coupler
- CO₂ Regulator
- Cleaning Kit
- Glass Rail Kit
- Removable Drip Tray
- Casters



RE801024

DIRECT DRAW BEER DISPENSERS

Part No.	Doors	Kegs	Available Finishes	Exterior Dimensions W" x H" x D"
RE801024	1	1	Black, Stainless	24 x 36 x 31 ^{1/2}
RE801050	2	2	Black, Stainless	50 x 36 ^{1/4} x 27
RE801059	2	3	Black, Stainless	59 x 36 ^{1/4} x 27
RE801069	2	3	Black, Stainless	69 x 36 ^{1/4} x 27
RE801079	3	4	Black, Stainless	79 x 36 ^{1/4} x 27
RE801090	3	5	Black, Stainless	90 x 36 ^{1/4} x 27

* Add "SS" to the above part numbers to indicate stainless steel.

ALL DIRECT DRAW REFRIGERATORS FEATURE:

- 304 Series Stainless Steel Countertop
- Reinforced Stainless Steel Floor
- Stainless Steel Reinforced Threshold Sill for ease of loading
- Removable Stainless Steel Drip Tray
- Incandescent Interior Lighting
- Self-Closing Doors with Cylinder Keyed Security Lock
- Flow monitors available! See page 29 for details.



RE801059SS



RE801090



RE607050SS



RE607090

BACK BAR COOLERS

Part No.	Doors	Available Finishes	Exterior Dimensions W" x H" x D"
RE607050	2	Black, Stainless	50 x 36 ^{1/4} x 27
RE607059	2	Black, Stainless	59 x 36 ^{1/4} x 27
RE607069	2	Black, Stainless	69 x 36 ^{1/4} x 27
RE607079	3	Black, Stainless	79 x 36 ^{1/4} x 27
RE607090	3	Black, Stainless	90 x 36 ^{1/4} x 27

* Add "SS" to the above part numbers to indicate stainless steel.

REFRIGERATOR BLOWER & ACCESSORIES

Part No.	Description
BB800005	15CFM Blower
BB800035	15CFM Blower Mounting Bracket
BB800050	1" x 6' Reinforced Air Hose



BB800005

SHANKS

DOUBLE FAUCET SHANKS

Part No.	Description
BB101314	2" Chrome Plated with $\frac{1}{16}$ " Tailpieces
BB101315	4" Chrome Plated with $\frac{1}{16}$ " Tailpieces
BB101316	6" Chrome Plated with $\frac{1}{16}$ " Tailpieces



SHANK ASSEMBLIES

Part No.	Description
BB101300	3" Shank with $\frac{1}{16}$ " Bore
BB101300-1/4	3" Shank with $\frac{1}{4}$ " Bore
BB101301	4 $\frac{1}{2}$ " Shank with $\frac{1}{16}$ " Bore
BB101301A	5 $\frac{1}{2}$ " Shank with $\frac{1}{16}$ " Bore
BB101302	6" Shank with $\frac{1}{16}$ " Bore
BB101303	8" Shank with $\frac{1}{16}$ " Bore
BB101303A	10" Shank with $\frac{1}{16}$ " Bore
BB101304	12" Shank with $\frac{1}{16}$ " Bore
BB101305	14" Shank with $\frac{1}{16}$ " Bore



* Longer shanks also available, please ask your sales representative for details.

REPLACEMENT PARTS

Item No.	Part No.	Description
1	BB101333	Brass Lock Nut
2	BB101330	Black Plastic Flange
2	BB101331	Stainless Steel Flange
3	BB101328	Chrome Coupling Nut
3	BB101329	Brass Coupling Nut
3	BB101329G	Gold Coupling Nut
4	BB101326	Sleeve
4	BB101327	Brass Sleeve
5	BB101325	Snap Ring



REPLACEMENT PARTS

Part No.	Description
BB101334	Locking Flange
BB101279	Zinc Plated Lock Washer



TAILPIECE SHANK ASSEMBLIES

Part No.	Description
BB101293	1 $\frac{3}{4}$ " Stainless Steel Shank with $\frac{1}{16}$ " Bent Tailpiece
BB101297	3" Shank with $\frac{1}{16}$ " Tailpiece
BB101298	4 $\frac{1}{2}$ " Shank with $\frac{1}{16}$ " Tailpiece
BB101299	5 $\frac{1}{2}$ " Shank with $\frac{1}{16}$ " Tailpiece



TAILPIECE SHANKS

Part No.	Description
BB101290	1 $\frac{3}{4}$ " Shank with $\frac{1}{16}$ " Stainless Steel Elbow
BB101291	1 $\frac{3}{4}$ " Shank with $\frac{1}{16}$ " Tailpiece
BB101296	2 $\frac{1}{2}$ " Shank with $\frac{1}{16}$ " Tailpiece



KEG COUPLERS



BB101007

BB101008



BB101015



BB101012



BB100055

BB100060



BB100040



BB101015-E



BB101010

BB101001-M



BB101002-M-S



BB101000-M



BB101005



BB100050



BB101707

DOMESTIC SANKEY "D" SYSTEM LEVER HANDLED COUPLERS

Part No.	Handle	Manufacturer	Rotating Probe
BB101007	White	American Beverage	No
BB101008	White	American Beverage	Yes
BB101012	Red	N. American Dispense Systems	No
BB101015	Black	Micro-Matic	No
BB100055	Black	Perlick	No
BB100060	Black	Perlick	Yes

* Fits most domestic beer brands.

DOMESTIC SANKEY "D" SYSTEM "SMART" COUPLER

Part No.	Description
BB100040	Black Handled Perlick Smart Coupler with Domestic Sankey

The Perlick Smart Coupler combines an empty keg sensor with top-quality domestic sankey keg coupler. The Smart system shuts off the flow of beer to the beer lines when the key empties, eliminating the need for a FOB detector! Ask your CBS sales representative for details.

EUROPEAN LEVER HANDLED COUPLERS

Part No.	Handle	Manufacturer	Rotating Probe	System
BB101009	Black	American Beverage	Yes	European "S"
BB101010	Black	American Beverage	No	European "S"
BB101000-M	Black	Micro-Matic	No	Bass "G"
BB101001-M	Black	Micro-Matic	No	Guinness "U"
BB101002-M-S	Black	Micro-Matic	No	German Slider "A"
BB101015-E	Blue	Micro-Matic	No	European "S"

WING HANDLED COUPLERS

Part No.	Handle
BB101005	"D" System with Black Handle
BB101006	"S" System with Black Handle

LOW PROFILE KEG COUPLER

Part No.	Description
BB100050	Perlick Low-Profile Domestic Keg Coupler

KEG COUPLER PROBE LUBRICANT

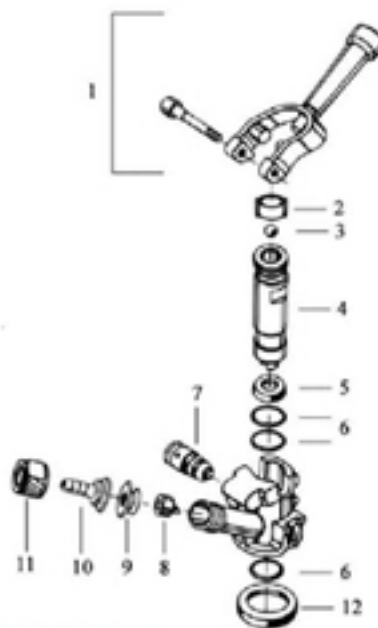
Part No.	Description
BB101707	Lubri-Film Probe Lubricant

* Probe lubricant is an often-overlooked component of a well-functioning beer system. Odourless & tasteless, it lubricates and protects coupling gaskets and can prevent costly leaks!

KEG COUPLERS

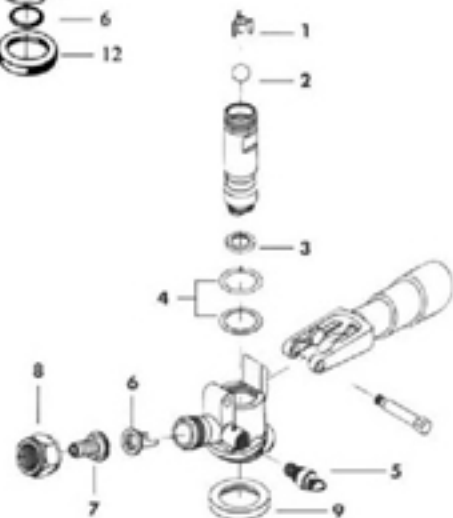
REPLACEMENT PARTS FOR AMERICAN BEVERAGE COUPLERS

Item	Part No.	Description
1	BB101040	Yoke Assembly with Pin and Nut
2	BB101035	Ball Retainer
3	BB101034	Ball
4	BB101029	Probe Assembly (US)
5	BB101033	Probe Washer (US)
5	BB101033E	Probe Washer (Euro)
6	BB101025	Probe O'Ring
7	BB101036	Safety Assembly
8	BB101031	Thomas Valve
9	BB101090	Retainer for Gas Valve
10	BB101510	1/8" Hose Tailpiece
11	BB101504	Hexnut
12	BB101032	Body Washer



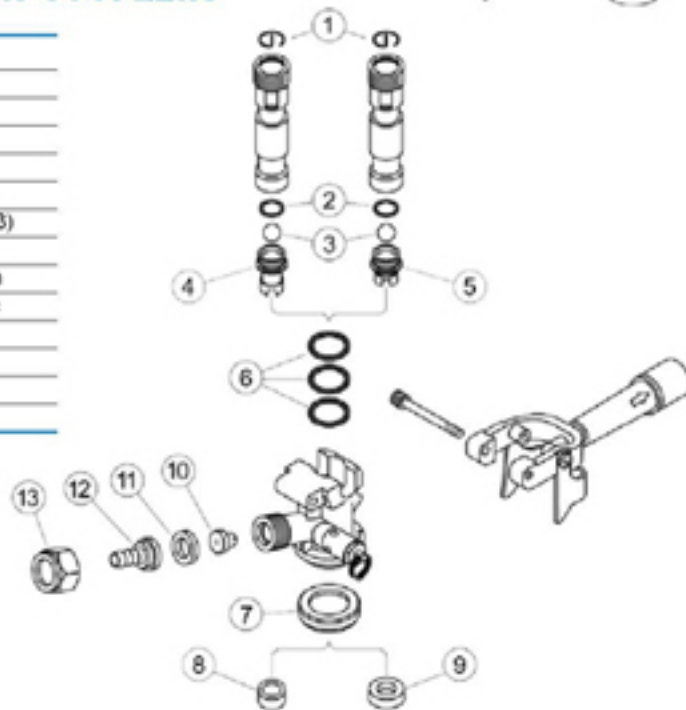
REPLACEMENT PARTS FOR MICRO-MATIC COUPLERS

Item	Part No.	Description
1	BB101015-4	Ball Retainer
2	BB101015-5	Ball
3	BB101018	Probe Washer
4	BB101015-3	Probe O'Rings
5	BB101037	Safety Assembly
6	BB101015-2	Check Valve
7	BB101510	1/8" Hose Tailpiece
8	BB101504	Hexnut
9	BB101017	Body Washer



REPLACEMENT PARTS FOR PERLICK COUPLERS

Item	Part No.	Description
1	BB100055-004	Ball Retainer Spring
2	BB100060-084	Buna-N O-Ring
3	BB100060-085	Poly Ball Check
4	BB100060-04E	Tip, European Sankey
5	BB100060-04A	Tip, Domestic Sankey
6	BB100060-089	Probe O-Ring (Coupler Uses 3)
7	BB100060-088	Bottom Seal (Body) Washer
8	BB100060-086E	Probe Seal Washer, European
9	BB100060-087	Probe Seal Washer, Domestic
10	BB100060-90	Check Valve
11	BB101030	Beer Nut Washer
12	BB101510	1/8" Hose Nipple
13	BB101504	Beer Nut



PRIMARY BOTTLE-MOUNT CO₂ REGULATORS



CO882061C-2

CO882061C



CO892060C

CO882061T



CO881062T



CO881063C



CO772061-CGG

Part No.	Body Manufacturer	Mounted Fittings:			
		Top	Right	Bottom	Left
CO882060CB	Cornelius	60lb Gauge	CO ₂ Stem & Nut	1/4" Barb	3000lb Gauge
CO882061C	Cornelius	60lb Gauge	CO ₂ Stem & Nut	1/8" Barb Shutoff	3000lb Gauge
CO882061T	Taprite	60lb Gauge	CO ₂ Stem & Nut	1/8" Barb Shutoff	3000lb Gauge
CO882061C-2	Cornelius	60lb Gauge	CO ₂ Stem & Nut	2 x 1/8" Barb Shutoffs	3000lb Gauge
CO882069C	Cornelius	60lb Gauge	CO ₂ Stem & Nut	1/8" Barb Shutoff	Plug
CO882101C	Cornelius	100lb Gauge	CO ₂ Stem & Nut	1/8" Barb Shutoff	3000lb Gauge
CO882161C	Cornelius	60lb Gauge	CO ₂ Stem & Nut	1/8" Barb Shutoff	3000lb Gauge
CO882161T	Taprite	60lb Gauge	CO ₂ Stem & Nut	1/8" Barb Shutoff	3000lb Gauge

PRIMARY BOTTLE-MOUNT N₂ REGULATORS

Part No.	Body Manufacturer	Mounted Fittings:			
		Top	Right	Bottom	Left
CO892060C	Cornelius	60lb Gauge	N ₂ Stem & Nut	1/8" Barb Shutoff	3000lb Gauge
CO892060T	Taprite	60lb Gauge	N ₂ Stem & Nut	1/8" Barb Shutoff	3000lb Gauge
CO892100C	Cornelius	100lb Gauge	N ₂ Stem & Nut	1/8" Barb Shutoff	3000lb Gauge
CO892160C	Cornelius	160lb Gauge	N ₂ Stem & Nut	1/8" Barb Shutoff	3000lb Gauge
CO892160T	Taprite	160lb Gauge	N ₂ Stem & Nut	1/8" Barb Shutoff	3000lb Gauge

PRIMARY BOTTLE MOUNT REG WITH BUILT-IN GUARD

Part No.	Body Manufacturer	Gas	Pressure
CO772060-CGG	Cornelius	N ₂	60 lb
CO772061-CGG	Cornelius	CO ₂	60 lb

SECONDARY WALL-MOUNT REGULATORS



CO881260C



CO881360T



CO881460C

Part No.	Body Manufacturer	Mounted Fittings:			
		Top	Right	Bottom	Left
CO881061C	Cornelius	60lb Gauge	1/4" Barb	1/4" Barb Shutoff	Plug
CO881061T	Taprite	60lb Gauge	1/4" Barb	1/4" Barb Shutoff	Plug
CO881062C	Cornelius	60lb Gauge	1/8" Barb	1/8" Barb Shutoff	1/8" Barb
CO881062T	Taprite	60lb Gauge	1/8" Barb	1/8" Barb Shutoff	1/8" Barb
CO881063C	Cornelius	60lb Gauge	1/8" Barb	1/8" Barb Shutoff	Plug
CO881063T	Taprite	60lb Gauge	1/8" Barb	1/8" Barb Shutoff	Plug
CO881065C	Cornelius	60lb Gauge	NONE	1/8" Barb Shutoff	NONE
CO881065T	Taprite	60lb Gauge	NONE	1/8" Barb Shutoff	NONE

GANGED SECONDARY WALL-MOUNT REGULATORS

Part No.	Body Manufacturer	Mounted Fittings:			
		Top	Right	Bottom	Left
CO881260C	2 x Cornelius	2 x 60lb Gauges	1/8" Barb	2 x 1/8" Barb Shutoff	Plug
CO881260T	2 x Taprite	2 x 60lb Gauges	1/8" Barb	2 x 1/8" Barb Shutoff	Plug
CO881360C	3 x Cornelius	3 x 60lb Gauges	1/8" Barb	3 x 1/8" Barb Shutoff	Plug
CO881360T	3 x Taprite	3 x 60lb Gauges	1/8" Barb	3 x 1/8" Barb Shutoff	Plug
CO881460C	4 x Cornelius	4 x 60lb Gauges	1/8" Barb	4 x 1/8" Barb Shutoff	Plug
CO881460T	4 x Taprite	4 x 60lb Gauges	1/8" Barb	4 x 1/8" Barb Shutoff	Plug

REGULATORS

PRIMARY BOTTLE-MOUNT SODA REGULATOR

Part No.	Body Manufacturer	Mounted Fittings:			
		Top	Right	Bottom	Left
CO883160C	2 x Cornelius	100lb x 160lb Gauges	CO ₂ Stem Nut	2 x 1/4" Barbs	3000lb Gauge



CO883160C

PRIMARY WALL-MOUNT SODA REGULATOR

Part No.	Body Manufacturer	Mounted Fittings:			
		Top	Right	Bottom	Left
CO883160W	2 x Cornelius	100lb x 160lb Gauges	1/4" MFL	2 x 1/4" Barbs	3000lb Gauge



CO883160W

PRIMARY WALL-MOUNT POST MIX REG KIT

Part No.	Body Manufacturer	Pressure	Flexhose	Coupling Kit
ZZ883160W-KIT	Cornelius	100 & 160	36"	CO ₂



ZZ883160W-KIT

NEW

SECONDARY REGULATOR PANEL KITS

Includes Wall Brackets, Product Lines, Gas Lines 1/8" Barbed Nipples, Nuts, Clamps, one 1/4" Plug and 2 hose barbs. COMPLETE AND READY TO INSTALL.

Part No.	Body Manufacturer	Pressure	Panel Width
CO875001C	Cornelius	1 X 60 lbs	15"
CO875002C	Cornelius	2 X 60 lbs	15"
CO875003C	Cornelius	3 X 60 lbs	15"
CO875004C	Cornelius	4 X 60 lbs	15"



CO875004C

AIR DISTRIBUTORS WITH 1/16" SHUTOFFS

Part No.	Description
BB101611	1-Way Air Distributor with 1 Shutoff, 1 Barb & 1 Plug
BB101612	2-Way Air Distributor with 2 Shutoffs, 1 Barb & 1 Plug
BB101613	3-Way Air Distributor with 3 Shutoffs, 1 Barb & 1 Plug
BB101614	4-Way Air Distributor with 4 Shutoffs, 1 Barb & 1 Plug



BB101612



BB101613

GAS BLENDERS

Part No.	Description
BB801100	McDantim Trumix 100 Gas Blender
BB801200	McDantim Trumix 200 Gas Blender
BB801025	CO ₂ / N ₂ Blender



BB801100



BB801200



BB101614



BB801025

REGULATORS

REGULATOR FITTINGS



CO881739

CO881751

CO881752

CO881977

CO881975

CO881995

CO882000

CO882020



CO890060

CO891800



CO890010



CO890011



CO892170

Part No.	Description
CO881752	(1) 1/4" M.P.T. x (2) 1/2" F.P.T. "Y" Fitting
CO881975	CO ₂ Bottle to N ₂ Regulator Adapter
CO881977	N ₂ Bottle to CO ₂ Regulator Adapter
CO881995	1200PSI Check Valve
CO882000	Ball Valve with 1/2" Pipe Thread In/Outlets
CO882015	1/4" Barbed Air Shutoff
CO882020	5/16" Barbed Air Shutoff
CO882028	5/16" Barbed Air Shutoff with Check Valve
CO881642	Taprite 5/16" Barbed Air Shutoff
CO880099	Nylon CO ₂ Washer

REGULATOR REPAIR KITS

Part No.	Description
CO890010	Cornelius Primary Regulator Repair Kit
CO890011	Cornelius Secondary Regulator Repair Kit
CO892170	Taprite Primary / Secondary Regulator Repair Kit

REGULATOR GAUGES

Part No.	Description
CO890060	60PSI Gauge
CO890100	100PSI Gauge
CO890160	160PSI Gauge
CO891800	3000PSI Gauge with Red "Order Gas" Zone Label - Lefthand Thread
CO891802	3000PSI Gauge - No Red Zone Label - Lefthand Thread

GAUGE PROTECTORS

Part No.	Description
CO898810-C	Two Gauge Protector for Primary Cornelius Bottle-Mount Regulator
CO898810-T	Two Gauge Protector for Primary Taprite Bottle-Mount Regulator

CHANGEOVER VALVES

Part No.	Description
CO898812	CO ₂ Changeover Valve

BULK CO₂ RESERVE KIT

Part No.	Description
CO2RS-C	Cornelius 160 lb Co ₂ Bottle Mount Regulator, Changeover Valve and Bulk System Gauge with Manifold Check Valve and Shut-Off.

COOLERS AND COMPONENTS

COLD PLATES WITH 1/4" BARB FITTINGS

Part No.	Description
CL000099	One Product 8" x 12"
CL000100	Two Product 8" x 12"
CL011015	One Product 10" x 15"
CL021015	Two Product 10" x 15"

* Larger sizes also available.

STAINLESS STEEL COIL COOLERS

Part No.	Description
CL105200	8qt In Line Stainless Steel Coil Cooler (Includes 50' of 1/2" OD S/S Coil and 2 Cooler Couplings)
CL105241	24qt with Single 50' Stainless Steel Coil
CL105420	48qt with Single 50' Stainless Steel Coil
CL105425	48qt with Single 120' Stainless Steel Coil
CL105430	48qt with Two 50' Stainless Steel Coils
CL105435	48qt with Two 120' Stainless Steel Coils
CL105440	80qt with Two 120' Stainless Steel Coils
CL105450	80qt with Three 120' Stainless Steel Coils

* All Coil Coolers include Faucets, Shanks, and Cooler Couplings.

COLD PLATE COOLERS

Part No.	Description	Cold Plate
CL105520	48qt with Single Tap	8" x 12"
CL105522	48qt with Two Taps	8" x 12"
CL105530	48qt with Single Tap	10" x 15"
CL105540	48qt with Two Taps	10" x 15"

* All Cold Plate Coolers include Faucets, Shanks, and Cooler Couplings.

STAINLESS STEEL COILS

Part No.	Description	Coil Diameter
CL106149X	50' x 1/2" OD Stainless Steel Coil	5"
CL106150L	50' Left Stainless Steel Cooling Coil	9"
CL106150R	50' Right Stainless Steel Cooling Coil	9"
CL106212L	120' Left Stainless Steel Coil (100' x 1/2" OD + 20' x 1/2" OD)	9"
CL106212R	120' Right Stainless Steel Coil (100' x 1/2" OD + 20' x 1/2" OD)	9"

COLD PLATE FITTINGS

Part No.	Description
CL000250	1/8" x 1/4" Stainless Steel Barb
CL000375	1/8" x 3/8" Stainless Steel Barb

COOLER COUPLING

Part No.	Description
CL106999	3" Cooler Coupling with Locknuts & Washers - 1/2" Bore

SHANKS

Part No.	Description
BB101297	3" Shank Assembly with 3/16" Tailpiece (Use with Cold Plate Cooler)
BB101300-1/4	3" Shank Assembly with 1/4" Bore (Use with Stainless Steel Coil Cooler)



COLD PLATE



CL105425



CL106149X



CL106150R



CL106212L



CL000250



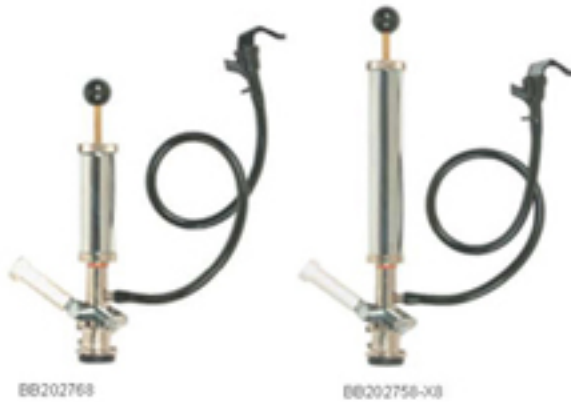
BB101297



CL106999

PICNIC PUMPS

LEVER HANDLE



Part No.	Description
BB202768	4" Lever Handle with Chrome Plated Metal Pump
BB202768-X8	8" Lever Handle with Chrome Plated Metal Pump

WING HANDLE

Part No.	Description
BB202758	4" Metal Wing Handle with Chrome Plated Metal Pump
BB202758-X8	8" Metal Wing Handle with Chrome Plated Metal Pump

BRONCO PUMP

Part No.	Description
BB202740	Bronco Pump with US Sankey
BB202741	Bronco Pump with European Sankey

PERLICK PARTY PUMP

Part No.	Description
BB089970	Perlick Party Pump

DELUXE METAL PICNIC PUMP

Part No.	Description
BB202750	Deluxe Picnic Pump - No Keg Coupler
BB202752	Deluxe Picnic Pump with Lever Handled US Sankey

PICNIC PUMP PLASTIC FAUCET

Part No.	Description
BB101230	Plastic Faucet With Barb

PICNIC PUMP - LESS COUPLER

Part No.	Description
BB202754	Picnic Pump & Faucet - fits any coupler with hex nut thread!

REPLACEMENT CHROME PUMPS

Part No.	Description
BB202750-233	4" Chrome Plated Pump with Thread and Check Valve
BB202750-234	8" Chrome Plated Pump with Thread and Check Valve
BB202750-235	8" Chrome Plated Pump with $\frac{1}{16}$ " Barb (Used on Deluxe Picnic Pumps)

LUBRICANT

Part No.	Description
BB101707	4oz O-Ring Lubricant Tube

* For Picnic Pump Cleaning Products, please refer to page 40.



CLEANING PRODUCTS

PLASTIC CLEANING BOTTLES

Part No.	Description
CP151040	1 Quart Cleaning Bottle with Metal Pump
CP151054	5 Litre Cleaning Bottle
CP151055	15 Litre Cleaning Bottle
CP151056	30 Litre Cleaning Bottle



CP151040



CP151054

BOTTLE CAPS

Part No.	Description
CP151060	US Sankey Cap
CP151061	Bass Cap
CP151062	Guinness Cap
CP151063	European Sankey Cap
CP151064	German Slider Cap



CP151060



CP151061

DIP TUBES

Part No.	Description
CP151068	5 Litre Dip Tube
CP151069	15 Litre Dip Tube
CP151070	30 Litre Dip Tube



CP151062

CP151063

CP151064

IN PLACE & PORTABLE CLEANING

Part No.	Description
CP151130	US Sankey Cleaning Socket
CP151132	European Sankey Cleaning Socket
CP151133	Guinness Cleaning Socket
CP151134	German Slider Cleaning Socket
CP151135	Bass Cleaning Socket
CP151140	Back Plate
CP151142	End Stop Cap



CP101698



CP101700



CP101701



CP101692

CLEANING ACCESSORIES

Part No.	Description
CP101699	US Sankey Stainless Steel Series Flusher
CP101700	Single Flusher
CP101701	Double Flusher
CP101698	Lexan US Sankey Series Flusher
CP101692	Guinness Series Flusher
CP101693	German Slider Series Flusher
CP101718	Duplex Coupling
CP101716	Faucet Cleaning Attachment with Barb
CP101727	European Faucet Cleaning Attachment with Barb
CP101320	1/2" European Shank with US Coupling Nut (Shank is flat at one end)



CP101699



CP101718



CP101716



CP101727



CP101320

CLEANING KIT

Part No.	1 Quart Cleaning Kit Includes:
CP151040-KIT	<ul style="list-style-type: none"> 1qt Plastic Bottle with Metal Pump Faucet Brush Faucet Wrench 4oz Bottle Beer Line Cleaner



CP151040-KIT

CLEANING PRODUCTS

Create your own customized combination of the following valves on the 18L Stainless Steel Cleaning Can!

- Domestic "US" Sankey
- European Sankey
- Bass
- German Slider
- Guinness



CP151025

CP151031

STAINLESS STEEL CLEANING CANS

Part No.	Description	No. of Valves
CP151025	2.5 Gallon Stainless Steel Cleaning Can with 2 US Sankey Valves	2
CP151031	18L Stainless Steel Cleaning Can with 4 US Sankey Valves	4
CP151032	18L Stainless Steel Cleaning Can with 2 US and 2 Euro Sankey Valves	4
CP151033	18L Stainless Steel Cleaning Can with your choice of Valves	4

CLEANING CHEMICALS



CP101739

CP101748

CP101788

Part No.	Description
CP101739	4oz 'Penetrate' Caustic Cleaner
CP101740	33oz 'Penetrate' Caustic Cleaner
CP101748	4oz 'BLC' Liquid Beer Line Cleaner
CP101750	33oz 'BLC' Liquid Beer Line Cleaner
CP101788	4oz 'WLC' Caustic Cleaner
CP101790	33oz 'WLC' Caustic Cleaner
CP101768	2.5oz Super No-Rinse Concentrate
CP101770	55oz Super No-Rinse Concentrate
CP101771	40lb Super No-Rinse Concentrate
CP101758	2.25oz 'PLC' Powder Alkaline Cleaner
CP101762	55oz 'PLC' Powder Alkaline Cleaner
MP900105	CBS 4 Litre Benefit Cleaner

CLEANING TOOLS



CP101758

CP101768

Part No.	Description
CP101712	8" x 3/4" Faucet Brush
CP101713	7" x 3/8" Stainless Steel Brush
CP101714	7" x 1/4" Stainless Steel Brush
BB101719	Faucet Wrench
BB101721	Deluxe Faucet Wrench



CP101770



MP900105



CP101712

CP101713



CP101762



BB101719

BB101721

TUBING

NON-INSULATED BUNDLED TUBING

Part No.	Description	Length	Coil / Reel
BT060000-100	6 x 1/4" ID Poly Tubes	100'	Coil
BT060000-500	6 x 1/4" ID Poly Tubes	500'	Reel
BT090000	9 x 1/4" ID Poly Tubes	400'	Reel
BT100375	10 x 3/8" ID Barrier Tubes	100'	Coil
BT120375	12 x 3/8" ID Barrier Tubes	100'	Coil
BT060100	6 Line: 4 x 1/4" ID Poly Tubes	100'	Coil
	2 x 3/8" ID Barrier Tubes		
	12 Line: 8 x 1/4" ID Poly Tubes		
BT120100	1 x 3/8" ID Poly Tube	100'	Coil
	2 x 3/8" ID Barrier Tubes		
	1 x 1/4" ID Poly Braid Hose		
	14 Line: 10 x 1/4" ID Poly Tubes		
BT141100	1 x 3/8" ID Poly Tube	100'	Coil
	1 x 1/4" ID Barrier Tube		
	2 x 3/8" ID Barrier Tubes		



3/8" ID x 1/2" OD BARRIER TUBING - NUMBERED

Part No.	Description	Label	Colour	Length
BT385101	Numbered Barrier Tubing	1	Natural	500'
BT385102	Numbered Barrier Tubing	2	Natural	500'
BT385103	Numbered Barrier Tubing	3	Natural	500'
BT385104	Numbered Barrier Tubing	4	Natural	500'
BT385105	Numbered Barrier Tubing	5	Natural	500'
BT385106	Numbered Barrier Tubing	6	Natural	500'
BT385107	Numbered Barrier Tubing	7	Natural	500'
BT385108	Numbered Barrier Tubing	8	Natural	500'
BT385109	Numbered Barrier Tubing	9	Natural	500'
BT385110	Numbered Barrier Tubing	10	Natural	500'
BT385111	Numbered Barrier Tubing	11	Natural	500'
BT385112	Numbered Barrier Tubing	12	Natural	500'

BARRIER TUBING

Part No.	Description	Colour	Length
BT143650	3/16" ID x 3/16" OD Barrier Tubing	Natural	500'
BT143900	1/4" ID x 3/8" OD Barrier Tubing	Natural	500'
BT385100	3/8" ID x 1/2" OD Barrier Tubing	Natural	500'

- Barrier Coating
- Polyethylene Exterior



VINYL TUBING

Part No.	Description	Colour	Length
BT385175	1/2" ID x 3/16" OD EVA Tubing	Clear	100'
BT385187	3/16" ID x 1/16" OD Vinyl Tubing	Clear	100'
BT385825	1/4" ID x 1/2" OD Vinyl Tubing	Clear	100'
BT385818	5/16" ID x 3/8" OD Vinyl Tubing	Red	100'
BT385809	3/8" ID x 5/8" OD Vinyl Tubing	Clear	100'



PVC BRAIDED HOSE

Part No.	Description	Length
BT143700	3/16" ID x 1/16" OD PVC Braid	100'
BT144500	1/4" ID x 1/2" OD PVC Braid	100'
BT385800	5/16" ID x 3/16" OD PVC Braid	100'
BT385807	3/8" ID x 5/8" OD PVC Braid	100'
BT500650	1/2" ID x 3/4" OD PVC Braid	100'
BT500675	3/4" ID x 1" OD PVC Braid	100'



VINYL DRAIN TUBING

Part No.	Description	Colour	Length
BT385815	5/16" ID x 1/16" OD Vinyl Drain Tubing	Clear	100'
BT600740	1/2" ID x 3/4" OD Vinyl Drain Tubing	Grey	100'
BT600750	3/4" ID x 1" OD Vinyl Drain Tubing	Grey	100'
BT601000	1" ID x 1 1/4" OD Vinyl Drain Tubing	Grey	100'



POLY BRAIDED HOSE

Part No.	Description	Colour	Length
BT144600	.265" (1/4") ID x .457" Poly Braid	White	500'
BT144700	.265" (1/4") ID x .457" Poly Braid	Black	500'
BT386350	.375" (3/8") ID x .593" Poly Braid	White	500'
BT386375	.375" (3/8") ID x .593" Poly Braid	Black	500'



TUBE CUTTING TOOLS

Part No.	Description
MP559970	Pocket Hose Cutter
MP559950	Multi-Cutter



MP559970



MP559950

TUBE AND HOSE FITTINGS

TEES - STANDARD

Part No.	Description
SF143325	Stainless Steel 1/4" Tee
SF383335	Stainless Steel 3/8" Tee
SF143200	Brass 1/4" Tee
SF383200	Brass 3/8" Tee
SF147249N	Nylon 1/4" Tee
SF147249P	Plastic 1/4" Tee
SF147252N	Nylon 3/8" Tee
SF147252P	Plastic 3/8" Tee
SF383385	Stainless Steel 3/8" x 1/4" x 1/4" Tee
SF383389	Stainless Steel 3/8" x 3/8" x 1/4" Tee



SF143325



SF147249N

TEES - VALUE LINE

Part No.	Description
SF143325-X	S/S 1/4" Tee
SF383335-X	S/S 3/8" Tee
SF383385-X	S/S 3/8" (2) x 1/4" Tee
SF383389-X	S/S 3/8" (2) x 1/4" Tee



SF387733



SF147253

SPLICERS

Part No.	Description
SF147722	Brass 1/4" Splicer
SF387733	Brass 3/8" Splicer
SF147248	Plastic 1/4" Splicer
SF147253	Plastic 3/8" Splicer



SF387735

S/S SPLICERS - STANDARD

Part No.	Description	Barbed Ends Fit:
SF147725	Stainless Steel 1/4" Splicer	• 3/16" ID Vinyl • 1/4" ID Vinyl • 1/4" ID Poly
SF387735	Stainless Steel 3/8" Splicer	• 5/16" ID Vinyl • 3/8" ID Vinyl • 3/8" ID Poly

S/S SPLICERS - VALUE LINE

Part No.	Description
SF147725-X	S/S 1/4" Splicer
SF387735-X	S/S 3/8" Splicer
SF500750-X	S/S 1/2" Splicer



SF147725



SF147738

S/S REDUCERS - STANDARD

Part No.	Description
SF087725	S/S 1/2" x 1/4" Reducer
SF147738	S/S 1/2" x 3/8" Reducer
SF387750	S/S 3/4" x 1/2" Reducer

S/S REDUCERS - VALUE LINE

Part No.	Description
SF147738-X	S/S 1/2" x 3/8" Reducer



SF143340

TUBE AND HOSE FITTINGS

S/S U-BENDS - STANDARD



SF792265

SF792300

Part No.	Description
SF792200	Stainless Steel 1/4" U-Bend
SF792300	Stainless Steel 3/8" U-Bend
SF792400	Stainless Steel 1/2" U-Bend
SF792265	Stainless Steel 1/4" U-Bend with 1/4" Stem
SF792750	Stainless Steel 3/8" with a 3/8" Stem

S/S U-BENDS - VALUE LINE



SF380380

Part No.	Description
SF792300-X	S/S 3/8" U-Bend
SF792750-X	S/S 3/8" U-Bend with 3/8" Stem

STAINLESS STEEL 90° SPLICERS



MP559995

MP559999

Part No.	Description
SF250250	Stainless Steel 90° 1/4" Splicer
SF300300	Stainless Steel 90° 5/16" Splicer
SF380380	Stainless Steel 90° 3/8" Splicer

CLAMP PINCERS

Part No.	Description
MP559995	Straight Jaw Clamp Pincer
MP559999	Side Jaw Clamp Pincer

NUTS & WASHERS



BB101504

BB101030

Part No.	Description
BB101504	Hexnut
BB101548	Euro Hexnut
BB101505	Wing Nut
BB101030	Beer Nut Washer



BB101505

WALL BRACKETS

Part No.	Description
BB101528	S/S 1/2" Barb Wall Bracket
BB101529	Wall Bracket - 3/8" Bore
BB101502	Wall Bracket "Y" - 3/8" Bore



BB101528



BB101529



BB101502

TUBE AND HOSE FITTINGS

STAINLESS STEEL STEPLESS CLAMPS

Part No.	Description
OC070	7.0mm Stepless Stainless Steel Clamp
OC087	8.7mm Stepless Stainless Steel Clamp
OC095	9.5mm Stepless Stainless Steel Clamp
OC105	10.5mm Stepless Stainless Steel Clamp
OC113	11.3mm Stepless Stainless Steel Clamp
OC118	11.8mm Stepless Stainless Steel Clamp
OC123	12.3mm Stepless Stainless Steel Clamp
OC133	13.3mm Stepless Stainless Steel Clamp
OC140	14.0mm Stepless Stainless Steel Clamp
OC145	14.5mm Stepless Stainless Steel Clamp
OC157	15.7mm Stepless Stainless Steel Clamp
OC170	17.0mm Stepless Stainless Steel Clamp
OC185	18.5mm Stepless Stainless Steel Clamp
OC198	19.8mm Stepless Stainless Steel Clamp
OC210	21.0mm Stepless Stainless Steel Clamp



OC994

STAINLESS STEEL GEAR CLAMPS

Part No.	Description
OC994	#4 Stainless Steel Gear Clamp - $\frac{5}{8}$ " max. diameter
OC995	#5 Stainless Steel Gear Clamp - $\frac{3}{4}$ " max. diameter
OC996	#6 Stainless Steel Gear Clamp - $\frac{7}{8}$ " max. diameter



BB101501

BB101503

BEER "Y" FITTING

Part No.	Description
BB101503	Beer "Y": $\frac{3}{8}$ " Bore

BEER SWITCH

Part No.	Description
BB101501	Beer Switch: $\frac{3}{8}$ " Bore

BEER SHUT-OFFS

Part No.	Description
BB101495	Beer Shut-Off: $\frac{3}{8}$ " Bore
MP551825	Plastic Beer Shut-Off: $\frac{1}{4}$ " x $\frac{1}{4}$ "
MP551830	Plastic Beer Shut-Off: $\frac{1}{4}$ " x $\frac{3}{8}$ "
MP551837	Plastic Beer Shut-Off: $\frac{3}{8}$ " x $\frac{3}{8}$ "



BB101495

MP551837

BEER TAILPIECES

Part No.	Description
BB101506	Nickel Plated $\frac{3}{16}$ " Tailpiece
BB101507	Nickel Plated $\frac{1}{4}$ " Tailpiece
BB101510	Nickel Plated $\frac{5}{16}$ " Tailpiece
BB101508	Nickel Plated $\frac{3}{8}$ " Tailpiece
BB101509	Nickel Plated $\frac{1}{2}$ " Tailpiece
BB101507SS	Stainless Steel $\frac{1}{4}$ " Tailpiece
BB101510SS	Stainless Steel $\frac{5}{16}$ " Tailpiece
BB101508SS	Stainless Steel $\frac{3}{8}$ " Tailpiece
BB101538	Nickel Plated $\frac{1}{2}$ " x $\frac{3}{16}$ " Euro Tailpiece
BB101539	Nickel Plated $\frac{1}{2}$ " x $\frac{3}{16}$ " Euro Tailpiece

90° BEER TAILPIECES

Part No.	Description
BB101532	Stainless Steel $\frac{1}{4}$ " 90° Tailpiece
BB101533	Stainless Steel $\frac{5}{16}$ " 90° Tailpiece
BB101534	Stainless Steel $\frac{3}{8}$ " 90° Tailpiece
BB101511	Nickel Plated Brass $\frac{3}{16}$ " 90° Tailpiece with Hexnut
BB101512	Nickel Plated Brass $\frac{1}{4}$ " 90° Tailpiece with Hexnut
BB101541	Nickel Plated Brass $\frac{3}{8}$ " x $\frac{3}{16}$ " 90° Euro Tailpiece

PLUGS

Part No.	Description
SF147250	Stainless Steel $\frac{1}{4}$ " Barb Plug
SF387370	Stainless Steel $\frac{3}{8}$ " Barb Plug
SF147251	Plastic $\frac{1}{4}$ " x $\frac{3}{8}$ " Plug - Fits both $\frac{1}{4}$ " and $\frac{3}{8}$ " Tubing!



BB101510SS

BB101510



BB101533



SF147251

MALE CONNECTORS



Male Connectors



Flared Male Connectors

CBS Part No.	JG Part No.	Description
QD100900	PI010621S	3/8" OD Tube x 1/8" NPTF
QD100910	PI010821S	1/4" OD Tube x 1/8" NPTF
QD100920	PI010823S	1/4" OD Tube x 3/8" NPTF
QD100930	PI011223S	3/8" OD Tube x 3/8" NPTF

FLARED MALE CONNECTORS

CBS Part No.	JG Part No.	Description
QD100970	PI0112F6S	3/8" OD Tube x 3/8" MFL

FEMALE CONNECTOR - BSP THREAD

CBS Part No.	JG Part No.	Description
QD100459	PI451213S	3/8" OD Tube x 3/8" BSP
QD100460	PI451613S	1/2" OD Tube x 3/8" BSP
QD100633	PI451214FS	3/8" OD Tube x 1/2" BSP

FEMALE FLARE CONNECTOR

CBS Part No.	JG Part No.	Description
QD100450	PI4512F4S	3/8" OD Tube x 1/4" FFL
QD100451	PI4512F6S	3/8" OD Tube x 3/8" FFL

UNION TEES

CBS Part No.	JG Part No.	Description
QD100112	PI0208S	Three 1/4" OD Tubes
QD100212	PI0212S	Three 3/8" OD Tubes
QD100216	PI0216S	Three 1/2" OD Tubes

UNION ELBOWS

CBS Part No.	JG Part No.	Description
QD200200	PI0308S	Two 1/4" OD Tubes
QD200205	PI0312S	Two 3/8" OD Tubes
QD200210	PI0316S	Two 1/2" OD Tubes

REDUCING ELBOWS

CBS Part No.	JG Part No.	Description
QD200220	PI211208S	3/8" OD Tube x 1/4" OD Tube
QD200223	PI211210S	3/8" OD Tube x 5/16" OD Tube

UNION CONNECTORS

CBS Part No.	JG Part No.	Description
QD100115	PI0408S	Two 1/4" OD Tubes
QD100311	PM0408S	Two 5/16" OD Tubes
QD100312	PI0412S	Two 3/8" OD Tubes
QD100316	PI0416S	Two 1/2" OD Tubes

REDUCING UNION CONNECTORS

CBS Part No.	JG Part No.	Description
QD100310	PI201008S	5/8" OD Tube x 1/4" OD Tube
QD100314	PI201210S	3/8" OD Tube x 5/16" OD Tube
QD100324	PI201206S	3/8" OD Tube x 3/16" OD Tube
QD100325	PI201208S	3/8" OD Tube x 1/4" OD Tube
QD100350	PI201612S	1/2" OD Tube x 3/8" OD Tube



Female Flare Connector



Female Connector



Reducing Elbow



Union Elbow



Union Tee



Union Connector



Reducing Union Connectors

STEM ADAPTERS

CBS Part No.	JG Part No.	Description
QD200570	PI050822S	1/4" OD Stem x 1/4" NPTF
QD200575	PI051223S	3/8" OD Stem x 3/8" NPTF

REDUCER

CBS Part No.	JG Part No.	Description
QD200564	PI061210S	3/8" OD Stem x 1/8" OD Tube

ENLARGER

CBS Part No.	JG Part No.	Description
QD200560	PI131012S	1/8" OD Stem x 3/8" OD Tube

PLUGS

CBS Part No.	JG Part No.	Description
QD200550	PI0808S	1/4" OD Stem
QD200555	PI0812S	3/8" OD Stem
QD200557	PI0816S	1/2" OD Stem

TWO-WAY DIVIDER

CBS Part No.	JG Part No.	Description
QD100375	PI2312S	Three 3/8" OD Tubes

THREE-WAY DIVIDER

CBS Part No.	JG Part No.	Description
QD100380	PI491612S	Three 3/8" OD Tubes x Single 1/2" Tube

REDUCING TEE

CBS Part No.	JG Part No.	Description
QD100277	PI301208S	Two 3/8" OD Tubes x Single 1/2" OD Tube
QD100280	PI301612S	Two 1/2" OD Tubes x Single 3/4" OD Tube

TUBE TO HOSE STEMS

CBS Part No.	JG Part No.	Description
QD100670	PI251006S	1/8" OD Stem x 3/16" Barb
QD100675	PI251008S	1/8" OD Stem x 1/4" Barb
QD100695	PI251208S	3/8" OD Stem x 1/4" Barb
QD100697	PI251210S	3/8" OD Stem x 5/16" Barb
QD100698	PI251012S	1/8" OD Stem x 3/8" Barb
QD100700	PI251212S	3/8" OD Stem x 3/8" Barb
QD100705	PI251216S	3/8" OD Stem x 1/2" Barb

TUBE TO HOSE ELBOW

CBS Part No.	JG Part No.	Description
QD100760	PI291208S	3/8" OD Stem x 1/4" Barb

PLUG IN ELBOW

CBS Part No.	JG Part No.	Description
QD200260	PI221212S	3/8" OD Stem x 3/8" OD Tube

FIXED ELBOWS

CBS Part No.	JG Part No.	Description
QD200320	PI480821S	1/2" OD Tube x 1/8" NPTF
QD200330	PI480823S	1/2" OD Tube x 3/8" NPTF
QD200335	PI481223S	3/4" OD Tube x 3/8" NPTF



Stem Adapter



Enlarger



Plug



Two-Way Divider



Three-Way Divider



Reducing Tee



Tube to Hose Stem



Tube to Hose Elbow



Plug in Elbow



Fixed Elbow

BULKHEAD UNIONS



Bulkhead Union



End Stop

CBS Part No.	JG Part No.	Description	Mounting Hole Diameter
QD200400	PI121208S	3/8" OD Tube x 1/4" OD Tube	0.83
QD200410	PI121200S	Two 3/8" OD Tubes	0.83



Locking Clip



Collet Cover

END STOPS

CBS Part No.	JG Part No.	Description
QD200500	PI4608S	1/4" OD Tube
QD200505	PI4612S	3/8" OD Tube

LOCKING CLIPS

CBS Part No.	JG Part No.	Description
QD500910	PIC1808R	1/4" OD Tube
QD500920	PIC1812R	3/8" OD Tube

COLLET COVERS



Check Valve

CBS Part No.	JG Part No.	Description	Color
QD500980	PI1912S	3/8" OD Tube	Grey
QD500985	PI1916S	1/2" OD Tube	Grey

CHECK VALVE

CBS Part No.	Description
QD700725	3/8" SCV x Two 3/8" OD Tubes

* Single Check Valves provide protection against fluid backflow, for use with liquids only

COLLET LOCKING TOOL



Collet Locking Tool



Pocket Hose Cutter

CBS Part No.	JG Part No.	Description
QD501000	ICLT/2	3/16", 1/4", 5/16", 3/8", 1/2"

POCKET HOSE CUTTER

CBS Part No.	Description
MP559970	Pocket Hose Cutter

SHUT-OFF VALVES



Shut-Off Valves

CBS Part No.	JG Part No.	Description
QD100540	PPSV040808W	Two 1/4" OD Tubes
QD100550	PPSV041212W	Two 3/8" OD Tubes

SUPERSEAL FITTINGS

For use with Stainless Steel Tubing.

SUPERSEAL UNION CONNECTOR

CBS Part No.	JG Part No.	Description
QD500415	SM40808S	5/16" OD Superseal x 5/16" OD Tube

SUPERSEAL UNION ELBOW



Superseal Union Connector



Superseal Union Elbow

CBS Part No.	JG Part No.	Description
QD500425	SM030808S	5/16" OD Superseal x 5/16" OD Tube
QD500432	SI031012S	5/16" OD Superseal x 3/8" OD Tube
QD500435	SI031210S	3/8" OD Superseal x 5/16" OD Tube
QD500440	SI031212S	3/8" OD Superseal x 3/8" OD Tube

FLOJET 5000 SERIES BAG-IN-BOX PUMP

Part No.	Description
MP555000	N5000-140 Gas Operated Beverage Pump & Fittings
MP555000W	N5000-135 Warranty / Service Pump - Fittings NOT included
KT000101*	N5000-140 Pump Kit with OCD, Clamp and 8' of BIB Tubing

* Perfect For FCB Machines.

FLOJET BEER PUMP

Part No.	Description
MP555022	G56 Beer Pump
MP555022-RV	G56 Flow Reversal Switch

* The flow reversal switch allows the user to reverse the pump's flow direction simply by turning a switch! Perfect for cleaning!

FLOJET "G SERIES" GAS OPERATED PUMPS

Part No.	Description
MP555020	G55 Syrup Pump
MP555021	G58 Juice Pump
MP555023	G56 Water Booster Pump

PUMP FITTINGS: PRODUCT

Part No.	Description	Fits Model #s
MP555001	SS 1/4" Straight Hose Barb Product Inlet & Outlet	N5000 / G55 / G58
MP555002	SS 1/2" Straight Hose Barb Product Inlet & Outlet	N5000 / G55 / G58
MP555009	SS 1/4" Elbow Hose Barb Product Inlet & Outlet	N5000 / G55 / G58
MP555011	SS 1/2" Elbow Hose Barb Product Inlet & Outlet	N5000 / G55 / G58
MP555016	SS 1/2" Straight Hose Barb Product Inlet & Outlet	N5000 / G55 / G58
MP555014	Plastic 1/8" - 1/2" Straight Hose Barb Product Inlet & Outlet	G56 / K56

PUMP FITTINGS: AIR

Part No.	Description	Fits Model #s
MP555003	Brass 1/4" Elbow Hose Barb Inlet with Shut-off	N5000 / G Series
MP555004	Brass 1/4" T" Hose Barb Inlet with Shut-off	N5000 / G Series
MP555008	Brass 1/4" Straight Hose Barb Inlet with Shut-off	N5000 / G Series

FLOJET PUMP ACCESSORIES

Part No.	Description
MP555012	Transfer Valve, Regular
MP555012V	Transfer Valve, High Altitude
Transfer valves permit automatic switching from one container to another.	
MP555013	24V AC Syrup Sold Out Switch
Includes 1/2" hose barb, "Syrup Sold Out" warning light & label. Switch closes at 13PSI and is normally open.	
MP555015	Strainer-1/8" Barb Inlet, 1/4" Barb Outlet, 40 Mesh Stainless Steel Screen
MP555017	50PSI Water Regulator with 1/8" Barbed Fittings
MP555018	30PSI Water Regulator with 1/8" Barbed Fittings



MP555022



MP555022-RV



MP555001

MP555002

MP555009



MP555011

MP555014

MP555016



FLOJET ELECTRIC SYRUP PUMP



MP555010

Part No.	Description
MP555010	115 VAC 50/60 Hz .5

AN ELECTRIC SYRUP PUMP WITH BUILT-IN VACUUM SWITCH. THE PUMP SHUT-OFFS WHEN THE BAG EMPTIES AND RESTARTS WHEN A FULL BAG IS CONNECTED. GREAT FOR SODA SYRUPS AND JUICE CONCENTRATES, IDEAL FOR BAG-IN-BOX CART SYSTEMS.

FLOJET ELECTRIC WATER BOOSTER PUMP



MP555093

Part No.	Description
MP555093	115VAC 50/60 Hz 70psi Max. / 1.5GPM Flow Rate

USE THIS ELECTRIC WATER BOOSTER PUMP WHERE WATER PRESSURE IS PROBLEMATIC. IF FLOW RATES ARE EXTREMELY LOW, WE SUGGEST USING A WATER BOOSTER PUMP SYSTEM WITH AN ACCUMULATOR TANK.

FLOJET WATER BOOSTER SYSTEMS

K56 SERIES GAS OPERATED PUMP



MP555090

Part No.	Description
MP555090	Single Pump Water Booster System with Accumulator Tank

SUPPLIES CONSISTENT WATER PRESSURE TO BEVERAGE DISPENSERS, COFFEE MACHINES, WATER FILTRATION SYSTEMS, CARBONATORS AND ICE MACHINES. FLOW RATES UP TO 4GPM (15L/MIN). RECOMMENDED WHEN WATER REQUIREMENT IS GREATER THAN 1.7GPM (6.5L/MIN).

2820/2840 SERIES ELECTRIC PUMPS



MP555087

Part No.	Description
MP555085	115VAC / 70PSI Max. / 1.5 GPM Flow Rate

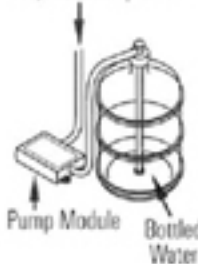
THIS ELECTRIC WATER BOOSTER SYSTEM IS IDEAL IN SITUATIONS WHERE CO₂ OR AIR IS NOT AVAILABLE. CONSISTENT WATER PRESSURE IS DELIVERED TO BEVERAGE DISPENSERS, COFFEE MACHINES, WATER FILTRATION SYSTEMS, CARBONATORS AND ICE MACHINES.

Part No.	Description
MP555087	115VAC / 40PSI Max. / 3.5 GPM Flow Rate

USE THIS ELECTRIC WATER BOOSTER SYSTEM WHERE HIGHER FLOW RATES ARE REQUIRED.

BOTTLED WATER DISPENSERS

Line to Refrigerator
Ice/Water Dispenser



Pump Module

Bottled Water



MP555070

Part No.	Description
MP555070	115VAC Bottled Water Dispenser

* 230V Pumps also available by special order, please ask your CBS sales representative for details.

INCLUDES 6' CORD AND PLUG. USE THE BOTTLED WATER DISPENSER TO DELIVER SPRING WATER TO YOUR COFFEE MACHINE, JUICE MACHINE AND ANY DISPENSER THAT REQUIRES GOOD QUALITY WATER.

Part No.	Description
MP555075	12V DC Bottled Water Dispenser including 6' un-terminated cord

FOUNTAIN

SHURFLO BAG-IN-BOX PUMP

Part No.	Description
MP557000	Gas Operated Syrup Pump - Blue

FITTINGS

Part No.	Description
MP557005	Shurflo S/S 1/4" Syrup Elbow
MP557006	Shurflo S/S 3/8" Syrup Elbow
MP557007	Shurflo Plastic 3/8" Syrup Inlet
MP557008	Shurflo Yellow Gas "T"
MP557009	Shurflo Yellow Gas "L"

MOUNTING BOARDS

Part No.	Description
MP559022	2 Pump Mounting Board
MP559023	3 Pump Mounting Board

MCCANN'S CARBONATORS

Part No.	Description
MP556105	Standard Flow Carbonator ASSE 1022 - 115V
MP556108	Large Capacity Carbonator ASSE 1022 - 115V

CARBONATOR ACCESSORIES

Part No.	Description
MP556131	McCann's Probe Electronics 115V
MP556132	McCann's Probe Conversion Kit 115V
MP556133	McCann's Probe Conversion Kit 220V
MP556134	McCann's Probe & Float Assembly 115V
MP556134-220	McCann's Probe & Float Assembly 220V
MP556135	McCann's 1/8" MFL Double Check Valve
MP556136	McCann's 1/8" MFL Single Check Valve
MP556138	McCann's 180 PSI Pressure Relief Valve
MP556139	McCann's Power Cord From Probe to Motor - 3 Prong
MP556140	McCann's Carbonator Pump Saver



MP557000



MP557007



MP557008



MP557009



MP559022



MP556108



MP556105

BAG-IN-BOX ACCESSORIES

WATER REGULATORS



MP551730



FLOJET WATER REGULATORS

Part No.	Description
MP551730	Watt's Water Regulator - 3 to 50 PSI
MP551733	Watt's Water Regulator - 10 to 125 PSI
MP551731	Watt's Water Regulator Repair Kit
MP555017	Flojet Water Regulator - Preset at 50 PSI
MP555018	Flojet Water Regulator - Preset at 30 PSI



MP551721



MP551722

Part No.	Description
MP551721	Chudnow Backflow Preventer - $\frac{3}{4}$ " MFL x $\frac{3}{8}$ " MFL
MP551722	Watt's 9BD Backflow Preventer - $\frac{3}{8}$ " MFL x $\frac{3}{8}$ " MFL

BACKFLOW PREVENTERS



MP551713



MP000100

Part No.	Description
MP551713	Brix Cup
MP000100	Refractometer 0-30

MEASURING DEVICES



MP000479



MP000448

Part No.	Description
MP000479	Procon 100GPH Brass Pump with Strainer
MP000448	Dumper Coupling
MP000450	V-Band Clamp
MP551740	$\frac{1}{2}$ HP / 1725 RPM Carbonator Motor - 115V

MISCELLANEOUS



MP000450



MP551740

Part No.	Description
CL000099	1 Channel 8" x 12"
CL000100	2 Channel 8" x 12"
CL000500	5 Channel 8" x 14"
CL000600	6 Channel 8" x 14"
CL000700	7 Channel 8" x 14"
CL011015	1 Channel 10" x 15"
CL021015	2 Channel 10" x 15"

COLD PLATES



CL000100



CL000250

Part No.	Description
CL000225	S/S $\frac{1}{4}$ " MFL x $\frac{1}{4}$ " Barb
CL000250	S/S $\frac{1}{8}$ " MFL x $\frac{1}{4}$ " Barb
CL000375	S/S $\frac{1}{8}$ " MFL x $\frac{3}{8}$ " Barb
SF147720	S/S $\frac{1}{4}$ " MFL x $\frac{1}{4}$ " MFL
SF147719	S/S $\frac{1}{8}$ " MFL x $\frac{1}{8}$ " MFL
SF147721	S/S $\frac{1}{4}$ " MFL x $\frac{1}{8}$ " MFL

COLD PLATE FITTINGS

BAG-IN-BOX RACKING

Part No.	Description
MP558998	1 Box Wide Shelf-Inclined
MP559000	2 Box Wide Shelf-Inclined
MP559000C	2 Box Wide Shelf-Flat
MP559003	3 Box Wide Shelf-Inclined



TOP SHELVES

Part No.	Description
MP559010	1 Box Wide Top Shelf
MP559011	2 Box Wide Top Shelf
MP559012	3 Box Wide Top Shelf



CONNECTORS

Part No.	Description
MP550002	Liqui-Box QCD II Bag-In-Box Connector
MP550010	CC Bag-In-Box Connector
MP550011	Scholle "T" Bag-In-Box Connector
MP550012	Scholle "L" Bag-In-Box Connector
MP550022	Tomlinson Bag-In-Box Faucet
MP110001	Ball Lock Gas Quick Disconnect with 1/4" Barb
MP110002	Ball Lock Liquid Quick Disconnect with 1/4" Barb
MP100099	Pin Lock Gas Quick Disconnect with 1/4" Barb
MP100000	Pin Lock Liquid Quick Disconnect with 1/4" Barb



FOUNTAIN FITTINGS NUTS, STEMS AND WASHERS

Part No.	Description
SF149265	1/2" Swivel Nut
SF300200	3/16" Swivel Nut
SF389375	3/8" Swivel Nut
SF147265	S/S 1/2" Barb (fits 1/2" Swivel Nut)
SF147375	S/S 1/2" Barb (fits 3/8" Swivel Nut)
SF300225	3/8" Barb (fits 3/16" Swivel Nut)
SF387375	S/S 3/8" Barb (fits 3/8" Swivel Nut)
MP550003	1/2" White Flare Washer
MP550004	3/8" Black Flare Washer
MP550005	3/16" Red Flare Washer



TEES - STANDARD



SF143325



SF147249N



SF147722



SF147253



SF147725



SF147738



SF143340



CO881722



SF147719



CO881723

Part No.	Description
SF143325	S/S 1/4" x 1/4" x 1/4" Barb Tee
SF143200	Brass 1/4" x 1/4" x 1/4" Barb Tee
SF147249N	Nylon 1/4" x 1/4" x 1/4" Barb Tee
SF147249P	Plastic 1/4" x 1/4" x 1/4" Barb Tee
SF383335	S/S 3/8" x 3/8" x 3/8" Barb Tee
SF383200	Brass 3/8" x 3/8" x 3/8" Barb Tee
SF147252N	Nylon 3/8" x 3/8" x 3/8" Barb Tee
SF147252P	Plastic 3/8" x 3/8" x 3/8" Barb Tee
SF383385	S/S 1/4" x 1/4" x 3/8" Barb Tee
SF383389	S/S 3/8" x 3/8" x 1/4" Barb Tee
SF500555	S/S 1/2" x 1/2" x 1/2" Barb Tee
SF500558	S/S 1/2" x 1/2" x 1/4" Barb Tee

TEES - VALUE LINE

Part No.	Description
SF143325-X	S/S 1/4" Tee
SF383335-X	S/S 3/8" Tee
SF383385-X	S/S 1/4" (2) x 3/8" Tee
SF383389-X	S/S 3/8" (2) x 1/4" Tee

SPLICERS - STANDARD

Part No.	Description
SF087625	S/S 1/8" x 1/8" Barb Splicer
SF147725	S/S 1/4" x 1/4" Barb Splicer
SF147722	Brass 1/4" x 1/4" Barb Splicer
SF147248	Plastic 1/4" x 1/4" Barb Splicer
SF387735	S/S 3/8" x 3/8" Barb Splicer
SF387733	Brass 3/8" x 3/8" Barb Splicer
SF147253	Plastic 3/8" x 3/8" Barb Splicer
SF500750	S/S 1/2" x 1/2" Barb Splicer

SPLICERS - VALUE LINE

Part No.	Description
SF147725-X	S/S 1/4" Splicer
SF387735-X	S/S 3/8" Splicer
SF500750-X	S/S 1/2" Splicer

REDUCERS - STANDARD

Part No.	Description
SF087725	S/S 1/4" x 1/8" Barb Reducer
SF147500	S/S 1/2" x 1/4" Barb Reducer
SF147738	S/S 3/8" x 1/4" Barb Reducer
SF387750	S/S 1/2" x 3/8" Barb Reducer

REDUCERS - VALUE LINE

Part No.	Description
SF147738-X	S/S 3/8" x 1/4" Reducer

CROSSES

Part No.	Description
SF143340	S/S 1/4" (4) Barb Cross
SF383340	S/S 3/8" (4) Barb Cross

UNIONS

Part No.	Description
CO881721	Brass 1/8" MPT x 1/4" MFL Union
CO881722	Brass 1/4" MPT x 1/4" MFL Union
CO881730	Brass 3/8" MPT x 3/8" MFL Union
SF147720	S/S 1/4" MFL x 1/4" MFL Union
SF147721	S/S 3/16" MFL x 1/4" MFL Union
SF147719	S/S 1/16" MFL x 1/16" MFL Union
SF147717	S/S 3/8" MFL x 1/2" MFL Union
SF147718	S/S 3/8" MFL x 3/8" MFL Union
SF087259	S/S 1/4" MPT x 1/4" MFL Union
CO881723	Brass 1/4" MPT x 1/4" MPT Union

FOUNTAIN

U-BENDS - STANDARD

Part No.	Description
SF792200	S/S 1/4" x 1/4" Barb U-Bend
SF792300	S/S 1/4" x 3/8" Barb U-Bend
SF792400	S/S 1/2" x 1/2" Barb U-Bend
SF792265	S/S 1/4" x 1/4" Barb U-Bend with a 1/4" Barb Stem
SF792375	S/S 1/4" x 3/8" Barb U-Bend with a 1/4" Barb Stem
SF792750	S/S 1/4" x 3/8" Barb U-Bend with a 3/8" Barb Stem
SF792755	S/S 1/2" x 1/2" Barb U-Bend with a 3/8" Barb Stem

U-BENDS - VALUE LINE

Part No.	Description
SF792300-X	S/S 1/4" U-Bend
SF792750-X	S/S 1/4" U-Bend with 3/8" Stem

90° ELBOWS

Part No.	Description
SF250250	S/S 1/4" x 1/4" Barb Elbow
SF300300	S/S 1/16" x 1/16" Barb Elbow
SF380380	S/S 1/4" x 3/8" Barb Elbow
SF500500	S/S 1/2" x 1/2" Barb Elbow
CO881734	Brass 1/4" MPT x 1/4" Barb Elbow
CO881735	Brass 1/4" MPT x 1/16" Barb Elbow
CO881736	Brass 1/4" MPT x 3/8" Barb Elbow

90° ELBOWS WITH SWIVEL NUT

Part No.	Description
SF250270	S/S 1/4" FFL x 1/4" Barb Elbow
SF250375	S/S 1/4" FFL x 3/8" Barb Elbow
SF380250	S/S 1/4" FFL x 1/4" Barb Elbow
SF380390	S/S 1/4" FFL x 3/8" Barb Elbow

HOSE BARBS

Part No.	Description
SF147169	S/S 1/4" FFL x 1/8" Barb
CO881715	Brass 1/4" FFL x 1/4" Barb
CO881717	Brass 3/8" FFL x 3/8" Barb
CO881701	Brass Garden Hose Swivel 3/8" Barb
SF087265	S/S 1/4" MPT x 1/4" Barb
SF142700	S/S 1/4" MPT x 1/4" Barb
CO881740	Brass 1/4" MPT x 1/4" Barb
CO881739	Brass 1/4" MPT x 1/16" Barb
CO881741	Brass 1/4" MPT x 3/8" Barb
CO881743	Brass 3/8" MPT x 1/4" Barb
CO881742	Brass 3/8" MPT x 3/8" Barb
CO881744	Brass 3/8" MPT x 1/2" Barb
CO881705	Brass 1/2" MPT x 3/8" Barb

COMPRESSION FITTINGS

Part No.	Description
SF600375	S/S 3/8" OD Tube Compression x 3/8" Barb
MP551714	Brass 3/8" OD (3) Poly Tube Compression Tee
MP551715	Brass 3/8" OD (2) Copper Tube x 3/8" Copper Tube Reducing Compression

PLUGS

Part No.	Description
SF147250	S/S 1/4" Barb Plug
SF387370	S/S 1/8" Barb Plug
SF387371	S/S 1/2" Barb Plug
SF147251	Plastic 1/4" Barb Plug (Fits both 3/8" & 1/4" ID Poly Tubing)



SF792300



SF792265



SF380380



CO881736



SF250270



CO881739



CO881701



SF600375



SF147251

SPIRIT MEASURES

Part No.	Description
OM310300	1 oz Black Classical Solo
OM310305	1½ oz Black Classical Solo
OM310700	1 oz Black Classical Solo "Counter"
OM310705	1½ oz Black Classical Solo "Counter"
OM312000	1 oz Black Professional Metrix
OM312005	1½ oz Black Professional Metrix

CORKS

Part No.	Description
OM355500	Black Rubber Finned Cork
OM354700	Half Gallon Cork

WALL BRACKETS

Part No.	Description
OM320200	Standard Wall Bracket
OM320400	Large Wall Bracket for 40oz Bottles

SHELF BRACKETS

Part No.	Description
OM320600	Standard Shelf Bracket
OM320800	Large Shelf Bracket for 40oz Bottles

WALL MOUNTED BOTTLE RACKS

Part No.	Description
OM321298	Standard Wall Mounted 2 Bottle Rack
OM321299	Large Wall Mounted 2 Bottle Rack for 40oz Bottles
OM321300	Standard Wall Mounted 4 Bottle Rack
OM321310	Large Wall Mounted 4 Bottle Rack for 40oz Bottles
OM321700	Standard Wall Mounted 6 Bottle Rack
OM321710	Large Wall Mounted 6 Bottle Rack for 40oz Bottles

SINGLE PILLAR FIXED BOTTLE RACKS

Part No.	Description
OM322098	Standard Single Pillar 2 Bottle Rack
OM322099	Large Single Pillar 2 Bottle Rack for 40oz Bottles
OM322100	Standard Single Pillar 4 Bottle Rack
OM322110	Large Single Pillar 4 Bottle Rack for 40oz Bottles

TWIN PILLAR FIXED BOTTLE RACKS

Part No.	Description
OM322200	Standard Twin Pillar 6 Bottle Rack
OM322210	Large Twin Pillar 6 Bottle Rack for 40oz Bottles

SINGLE PILLAR PORTABLE BOTTLE RACKS

Part No.	Description
OM322400	Standard Single Pillar 4 Bottle Rack
OM322410	Large Single Pillar 4 Bottle Rack for 40oz Bottles
OM322800	Standard Single Pillar 6 Bottle Rack
OM322810	Large Single Pillar 6 Bottle Rack for 40oz Bottles

ROTARY BOTTLE STANDS

Part No.	Description
OM323000	Standard Rotary 4 Bottle Stand
OM323010	Large Rotary 4 Bottle Stand for 40oz Bottles
OM323300	Standard Rotary 6 Bottle Stand
OM323310	Large Rotary 6 Bottle Stand for 40oz Bottles

MEASURED POURER

Part No.	Description
LPP2001- 4	1oz Red Measured Pourer with Black Collar



OM310300



OM310700



OM312000



OM355500



OM354700



OM320600



OM321298



OM322098



OM322200



OM322400



OM323000



LPP2001-4

WINE DISPENSING EQUIPMENT

WINE FAUCETS

Part No.	Description
BB101236	Burgundy with S/S Threaded Lever
BB101236-HD	Burgundy with Burgundy Tap Handle
BB101237	Black with S/S Threaded Lever
BB101239	White with S/S Threaded Lever
BB101239-HD	White with White Tap Handle



STAINLESS STEEL WINE SHANK

Part No.	Description
BB101293	1 3/4" S/S Shank Assembly

WINE TOWERS

Part No.	Taps	Finish	Tap Colour	Tubing
BB101393-R	1	Brass	Burgundy	3/8" Vinyl
BB101393-W	1	Brass	White	3/8" Vinyl
BB101394-R	1	Chrome	Burgundy	3/8" Vinyl
BB101394-W	1	Chrome	White	3/8" Vinyl
BB101392	2	Brass	White & Burgundy	3/8" Vinyl
BB101395	2	Chrome	White & Burgundy	3/8" Vinyl



WINE CONNECTORS

Part No.	Description
MP550011	Scholle "T" Fitting
MP550012	Scholle "L" Fitting
MP550030	Millington Universal Wine Adapter
MP550013	Scholle Adapter Assembly
MP550014	Universal Fitting

WINE PUMPS

Part No.	Description
MP555000	Flojet Gas Operated Syrup Pump
MP555010	Flojet Electric B.I.B. Pump



TRANSFER VALVES

Part No.	Description
MP555012	Flojet Transfer Valve-Regular
MP555012V	Flojet Transfer Valve-High Elevation

* Transfer valves permit automatic switching from one container to another.

STRAINER

Part No.	Description
MP555015	Flojet S/S Mesh (40) Strainer with 3/8" Barb Fittings



CLEANER

Part No.	Description
CP101788	4oz Wine Line Cleaner
CP101790	33oz Wine Line Cleaner

PRIMARY NITROGEN REGULATORS

Part No.	Description
CO892060C	60PSI Comelius N ₂ Regulators with 1/2" Shut-Off
CO892060T	60PSI Taprite N ₂ Regulators with 1/2" Shut-Off





FAUCET WRENCHES

Part No.	Description
BB101719	Faucet Wrench
BB101721	Deluxe Faucet Wrench
BB101725	Euro Faucet Wrench
BB101727	Perlick S/S Multi-Wrench: 6 functions in 1 tool!

TOWER WRENCH

Part No.	Description
BB101722	S/S TowerWrench

CO₂ WRENCHES

Part No.	Description
CO898804	Flat CO ₂ Wrench
CO898805	Offset CO ₂ Wrench

PINCERS

Part No.	Description
MP559995	Straight JawPincer
MP559999	Side JawPincer

THERMOMETERS

Part No.	Description
BB330020	1" Dial Thermometer
BB330021	Digital Thermometer
BB330025	Digital Waterproof Thermometer

POCKET HOSE CUTTER

Part No.	Description
MP559970	Pocket Hose Cutter
MP559971	Pocket Hose Cutter Blade (Each)

MULTI-CUTTER

Part No.	Description
MP559950	Diamond Blade Multi-Cutter
MP559951	2-Pack Spare Blades for Diamond Blade Multi-Cutter

KEG ORGANIZER

Part No.	Description
BB702600	Keg Organizer

KEG STACKER

Part No.	Description
BB702603	Keg Stacker

KEG DOLLY

Part No.	Description
BB702604	Keg Dolly



Your Perfect Hand Truck Let Magliner Help Customize Your Hand Truck



Folding Hand Truck
 • 500 lb Capacity
 • Lightweight & Easy to Lift

6 Wheels to choose from
 13 Noses to choose from

Folding Nose and Handle

22 Handles to choose from
 2 Stair Climbers to choose from
 Locks in Upright Position

8 Frames to choose from

• Additional Accessories available • 500 lb Capacity • One Year Limited Warranty

Bottled Water Tray Trucks

- 500 lb Capacity
- Aluminum Construction Never Rusts!
- 5 & 7 Bottle Sizes



Curb Ramps

Overcome Delivery Obstacles



- Light and Portable
- Aggressive non-skid surface
- Strong and Durable

Gemini® Convertible Hand Trucks

Converts in 3 easy steps to a Platform Truck!



Gemini JR

Gemini SR

- High capacity
- Strong and Lightweight
- Optional Accessories available

2 in 1 Truck converts from 2 to 4 wheels in seconds

MAGLINER®



Axiom 360[®] with Keg Mover

Magliner Powered Stair Climbing Hand Truck

Faster, Safer Deliveries on Stairs

- Up to 375 lb capacity - holds 2 kegs



The Keg Mover

- Holds 6 full Kegs or 11 empty Kegs in place for safe, stable transport
- Increases productivity - moves more Kegs in less time

Move Kegs Safely!





Compact Refrigerators available from 1.7 cu. ft. to 4.6 cu. ft. Choose a partial or full door wrap or maybe cover the two sides and the door for maximum impact!



This 6.4 cu. ft. draught beer dispenser is complete with everything needed to pour cold beer... except the beer! Choose from a Black or Stainless Steel door or perhaps brand it with your logo!



ID-A-TUBE is an inexpensive method of identifying beverage lines. Branded with your logo, it can be placed on beer, soda, water or liquor lines for quick identification.





Medallions are an effective way for Beverage Companies to draw attention to their brands.

Measuring 3 1/4" in diameter, this product definitely offers greater merchandising space than a typical beer tap handle.



Our lit dome offers an economical method of illuminating your company's brands. Light up your brands and see your sales rise!

Our Graphics Dept. features Design, Print, Laminate and Application capabilities.



OSPREY

Unique Design

- 4" Dia. Polished S/S Tube with Solid Brass Accents
- Solid, High Quality Construction

3 1/4" Dia. Round Medallion Holders for Branding

NEW

Part No.	Taps	Faucet Style	Finish
BB102732A-CK	2	American	Polished S/S & Brass
BB102733A-CK	3	American	Polished S/S & Brass
BB102734A-CK	4	American	Polished S/S & Brass
BB102735A-CK	5	American	Polished S/S & Brass
BB102736A-CK	6	American	Polished S/S & Brass
BB102737A-CK	7	American	Polished S/S & Brass
8, 9 and 10 Tap Osprey Towers are built with 2 Pedestals			
BB102738A-CK	8	American	Polished S/S & Brass
BB102739A-CK	9	American	Polished S/S & Brass
BB102740A-CK	10	American	Polished S/S & Brass

*All Osprey Towers are shipped cold-lined.

- Choose from 5 Styles of Faucets
- 2 Additional Shapes Available

INDEX

- A**
- Adapters, Tower 13
 - Air Distributors 36
 - Amsterdam Towers 5
- B**
- Back Bar Coolers 31
 - Bag-In-Box 53
 - Barrier Tubing 43
 - Beer Fridge 31
 - Beer Meters 29
 - Beer Pumps 50
 - Beer Switch 46
 - Blower Fan 31
 - Bottled Water Dispenser 51
 - Branded Products 62-63
 - Brushes 41
- C**
- Cable Ties 27
 - Clamp-On Beer Towers 12
 - Clamps 46
 - Carbonators 52
 - Cleaning Attachments 40
 - Cleaning Cans 40-41
 - Cleaning Chemicals 41
 - Cleaning Kits 40
 - Cobra Towers 5
 - Coil Coolers 38
 - Cold Plates 53
 - Cold Plate Coolers 38
 - Cold Plate Fittings 53
 - Cooling Coils 38
 - CO₂ Cylinders 30
 - Curved Spine Tower 5
- D**
- Direct Draw Refrigeration 31
 - Draught Beer Towers
 - European 4-12
 - North American 13-14
 - Drip Trays 23-25
 - Parts & Accessories 25
- E**
- European Taps 16-17
- F**
- Faucets
 - Bag-In-Box 54
 - Beer 16-17
 - Locks 20
 - Parts 18-20
 - Stout 16
 - Wine 58
 - Wrenches 20, 59
 - Fittings
 - Bag-In-Box 54
 - Beer 44-46
 - Fountain 54-56
 - John Guest 47-49
 - Stainless Steel 44-46
- G**
- Gas Blenders 36
 - Glass Rinsers 25
 - Gauge Guards 35, 37
 - Glycol 27
 - Glycol Power Packs 26
- H**
- Hand Trucks 60-61
- I**
- Idea Towers 5
 - Insulation 27
 - Ice Towers 4, 5, 11
- J**
- John Guest 47-50
- K**
- Keg Couplers 33
 - Parts 34
 - Keg Stackers 59
 - Keg Dolly 59
 - Keg Pumps 39
- L**
- Locks, Faucet 20
 - Lubricant, Probe 33
 - Liquor Pourers 57
 - Lucky Towers 12
- M**
- Magliner 60-61
 - Medallions 21-22, 63
 - Monaco Towers 5
 - Milano Towers 11
 - Mongoose Towers 6-7, 10
 - Mushroom Towers 14
- O**
- Osprey Tower 65
- P**
- Panther Towers 11
 - Pass Thru Towers 14
 - Picnic Pumps 39
 - Power Packs 26
 - Pumps
 - Beer 50
- Q**
- Quick Disconnects 54
- R**
- Racking, BIB 54
 - Refractometer 53
 - Refrigerator Conversion Kit 30
 - Refrigeration Equipment 31
 - Regulators
 - Beer 35-36
 - Fountain 36
 - Parts 37
 - Water 50, 53
- S**
- Sexy Towers 3
 - Shanks
 - Beer 32
 - Wine 58
 - Parts 32
 - Shut-Offs
 - Beer 46
 - In-Line Plastic 46
 - Regulator 37
 - Spout Plug 16
- T**
- "T" Towers 13-14
 - Tap Handles 15
 - Tape 27
 - Thermometers 59
 - Tower Extensions 13
 - Tube Cutters 43, 59
 - Tubing
 - Barrier 43
 - Braided 43
 - Bundle (Non-Insulated) 42
 - Bundle (Insulated) 28
 - Polyethylene 42
 - Vinyl 43
 - Tools 59
- W**
- Wall Brackets 45
 - Washers
 - Beer 45
 - Faucet 18-19
 - CO₂ 37
 - Fountain 54
 - Water Filter 25
 - Wine Dispensing 58
 - Wrenches 20, 59
- Z**
- Zeus Towers 12



BC Beverage

Serving The Hospitality Industry Since 1984

DRAFT BEER EQUIPMENT

OFFICE PHONE: 604-944-9995

**Servicing the Vancouver Area
and Fraser Valley**

EMAIL: bcbeverage1@gmail.com

